



DVPCOPM-SL

CANopen Communication Module

Operation Manual



<http://www.delta.com.tw/industrialautomation>

DVP-0204420-02

Warning

- ✓ Please read this instruction carefully before use and follow this instruction to operate the device in order to prevent damages on the device or injuries to staff.
- ✓ Switch off the power before wiring.
- ✓ DVPCOPM-SL is an OPEN TYPE device and therefore should be installed in an enclosure free of airborne dust, humidity, electric shock and vibration. The enclosure should prevent non-maintenance staff from operating the device (e.g. key or specific tools are required for operating the enclosure) in case danger and damage on the device may occur.
- ✓ DVPCOPM-SL is to be used for controlling the operating machine and equipment. In order not to damage it, only qualified professional staff familiar with the structure and operation of DVPCOPM-SL can install, operate, wire and maintain it.
- ✓ DO NOT connect input AC power supply to any of the I/O terminals; otherwise serious damage may occur. Check all the wirings again before switching on the power and DO NOT touch any terminal when the power is switched on. Make sure the ground terminal ⊕ is correctly grounded in order to prevent electromagnetic interference.

Table of Contents

1	Introduction	3
	1.1 Features	3
	1.2 Functions.....	4
	1.3 Explanation of Output/Input Mapping Area of DVPCOPM-SL.....	5
2	Product Profile & Outline	6
	2.1 Dimension	6
	2.2 Product Profiles	7
	2.3 CANopen Connection Port.....	7
	2.4 CAN Network Endpoint and Topology Structure.....	8
	2.5 Address Switch.....	8
	2.6 Function Switch	9
	2.7 Digital Indicator.....	9
3	Basic Operation	10
	3.1 Connecting DVPCOPM-SL to DVP-SV CPU.....	10
	3.2 Installing DVPCOPM-SL and DVP-SV CPU on DIN Rail	10
	3.3 Connecting to CANopen Connection Port.....	11
4	Constructing CANopen Network	11
	4.1 How to Construct a CANopen Network	11
	4.2 Data Mapping in CANopen Network	13
	4.3 How to Configure Network by Delta CANopen Builder Software	14

4.4	Saving the Configuration Data.....	26
4.5	CANopen Network Control	26
5	Sending SDO, NMT and Reading Emergency by Ladder Diagram	28
5.1	Principle.....	28
5.2	Structure of SDO Request Message.....	28
5.3	Structure of NMT Service Message	30
5.4	Structure of Emergency Request Message	30
5.5	Application Examples	31
6	Network Node Status Display.....	39
6.1	Slave State of CANopen Network.....	39
6.2	Master Status of CANopen Network	40
6.3	CANopen Network Status	41
6.4	Data Structure of SDO Request Message	41
6.5	Application Examples	43
7	LED Indicator & Trouble-shooting	44
7.1	POWER LED	44
7.2	RUN LED	45
7.3	ERR LED	45
7.4	Codes in Digital Display	46

1 Introduction

1. To ensure correct installation and operation of DVPCOPM-SL, please read this chapter carefully before using your DVPCOPM-SL.
2. This chapter only provides introductory information on DVPCOPM-SL. For more detailed information on CANopen protocol, please refer to relevant references or literatures.
3. DVPCOPM-SL is a CANopen module operating on the left side of PLC CPU. PLC CPU can have maximum 8 DVPCOPM-SL modules connected to its left side. DVPCOPM-SL master module is responsible for the data exchange between PLC and other slaves on the bus when PLC CPU is connected to the CANopen network via DVPCOPM-SL. To achieve data exchange, DVPCOPM-SL master module is used for transmitting the data in PLC to slaves on the bus and meanwhile returns the data in slaves to PLC.
4. PLC connected to the right side of DVPCOPM-SL includes DVP-SV, DVP-SX2, DVP-SA2, DVP10MC11T, DVP-EH3-L, and DVP-EH2-L.

1.1 Features

DVPCOPM-SL can be used as the master in CANopen network, as well as the slave for other masters.

As a master, DVPCOPM-SL features:

- Complying with CANopen standard protocol DS301v4.02.
- Supporting NMT Master Service.
- Error control: Supporting Heartbeat/Node Guarding Protocol.
- Supporting PDO Service.
 Max. 200 RxPDOs and 390 bytes of data
 Max. 200 TxPDOs and 390 bytes of data
 Each slave can be allocated maximum 8 TxPDOs and 8 RxPDOs.
- PDO transmission type: Supporting event trigger, time trigger, synchronous cycle, and synchronous non-cycle.
- PDO mapping: Every PDO is able to map maximum 32 parameters.

Type of mapping data supported:

Storage space	Data type
1 bit	BOOL
8 bits	SINT USINT BYTE
16 bits	INT UINT WORD
32 bits	DINT UDINT REAL DWORD
64 bits	LINT ULINT LREAL LWORD

- Supporting SDO Service.
 Number of server: 0
 Number of user: 3
- Supporting standard expedited SDO transmission mode.
- Supporting Auto SDO function. Able to execute maximum 20 Auto SDOs to each slave.
- Supporting reading/writing of data in slave by using SDO Service in the ladder diagram in PLC.
- Supporting Emergency Protocol:
 Able to store 5 latest Emergency messages for each slave.
 Able to indicate Emergency messages in slave from digital display.

Able to read Emergency message through the ladder diagram in PLC.

- SYNC producer; Range: 0 ~ 65,535ms.
- As the interface between Delta CANopen Builder software and CANopen network. The software can configure the network directly through DVPCOPM-SL.
- In the auto data exchange with PLC, the user only has to program the D register mapped in PLC without applying FROM/TO instructions. When connected to PLC, registers after D6000 will be adopted temporarily.

As a slave, DVPCOPM-SL features:

- Complying with CANopen standard protocol DS301v4.02
- Supporting NMT Slave Service
- Error control: Supporting Heartbeat Protocol
- Supporting PDO Service: Each slave can be allocated maximum 8 TxPDOs and 8 RxPDOs.
- PDO transmission type: Supporting event trigger, time trigger, synchronous cycle, synchronous non-cycle.
- Supporting SDO Service.

Number of server: 1

Number of user: 0

- Supporting standard expedited SDO transmission mode.
- Supporting Emergency Protocol.

Able to indicate Emergency event in slave through digital display.

- In the auto data exchange with DVP-SV, the user only has to program the D register mapped in DVP-SV without applying FROM/TO instructions.

1.2 Functions

■ CANopen connection

Transmission method	CAN
Electrical isolation	500VDC
Interface	Removable connector (5.08mm)
Transmission cable	2-wire twister shielded cable with 2-wire bus power and drain

■ Communication

Message type	PDO, SDO, SYNC (synchronous object), Emergency (Emergency object), NMT
Baud rates	10k, 20k, 50k, 125k, 250k, 500k, 800k, 1M bps (bit/sec)

■ Electrical specification

Power voltage	24VDC, supplied by internal bus from PLC CPU (-15% ~ 20%)
Power consumption	1.7W
Isolation voltage	500V

■ Environment

Noise immunity	ESD (IEC 61131-2, IEC 61000-4-2): 8KV Air Discharge, 4KV Contact Discharge EFT (IEC 61131-2, IEC 61000-4-4): Power Line: 2KV, Digital I/O: 1KV Analog & Communication I/O: 1KV Damped-Oscillatory Wave: Power Line: 1KV, Digital I/O: 1KV RS (IEC 61131-2, IEC 61000-4-3): 80MHz ~ 1,000MHz, 1.4GHz ~ 2.0GHz, 10V/m
Operation	0°C ~ 55°C (temperature); 50 ~ 95% (humidity); pollution degree 2

Storage	-25°C ~ 70°C (temperature); 5 ~ 95% (humidity)
Shock/vibration immunity	International standard: IEC 61131-2, IEC 68-2-6 (TEST Fc)/IEC 61131-2 & IEC 68-2-27 (TEST Ea)
Certificates	IEC 61131-2, UL508

1.3 Explanation of Output/Input Mapping Area of DVPCOPM-SL

When DVPCOPM-SL serves as the master of the CANopen network, the output/ input mapping areas in different positions of the left side of PLC are shown as below table is.

Of the left side of PLC (except DVP10MC11T), the position where the first DVPCOPM-SL is equipped is 1; the position where the second one is equipped is 2; and so on. Of the left side of DVP10MC11T, the position where the first DVPCOPM-SL is equipped is 2; the position where the second one is equipped is 3; and so on.

Mapping Area Position	Output Mapping Area	Input Mapping Area
1	D6250~D6476	D6000~D6226
2	D6750~D6976	D6500~D6726
3	D7250~D7476	D7000~D7226
4	D7750~D7976	D7500~D7726
5	D8250~D8476	D8000~D8226
6	D8750~D8976	D8500~D8726
7	D9250~D9476	D9000~D9226
8	D9750~D9976	D9500~D9726

When DVPCOPM-SL is served as master of CANopen network, the mapping areas of SDO, NMT, Emergency and PDO in the different positions of the left side of PLC are as below table is.

Of the left side of PLC (except DVP10MC11T), the position where the first DVPCOPM-SL is equipped is 1; the position where the second one is equipped is 2; and so on. Of the left side of DVP10MC11T, the position where the first DVPCOPM-SL is equipped is 2; the position where the second one is equipped is 3; and so on.

Mapping area Position	Message Request Area of SDO, NMT, Emergency	Message Response Area of SDO, NMT, Emergency	RxPDO Mapping Area	TxPDO Mapping Area
1	D6250~D6281	D6000~D6031	D6282~D6476	D6032~D6226
2	D6750~D6781	D6500~D6531	D6782~D6976	D6532~D6726
3	D7250~D7281	D7000~D7031	D7282~D7476	D7032~D7226
4	D7750~D7781	D7500~D7531	D7782~D7976	D7532~D7726
5	D8250~D8281	D8000~D8031	D8282~D8476	D8032~D8226
6	D8750~D8781	D8500~D8531	D8782~D8976	D8532~D8726
7	D9250~D9281	D9000~D9031	D9282~D9476	D9032~D9226
8	D9750~D9781	D9500~D9531	D9782~D9976	D9532~D9726

When DVPCOPM-SL serves as the slave of CANopen network, the input and output mapping areas in the different positions of the left side of PLC are shown in below table.

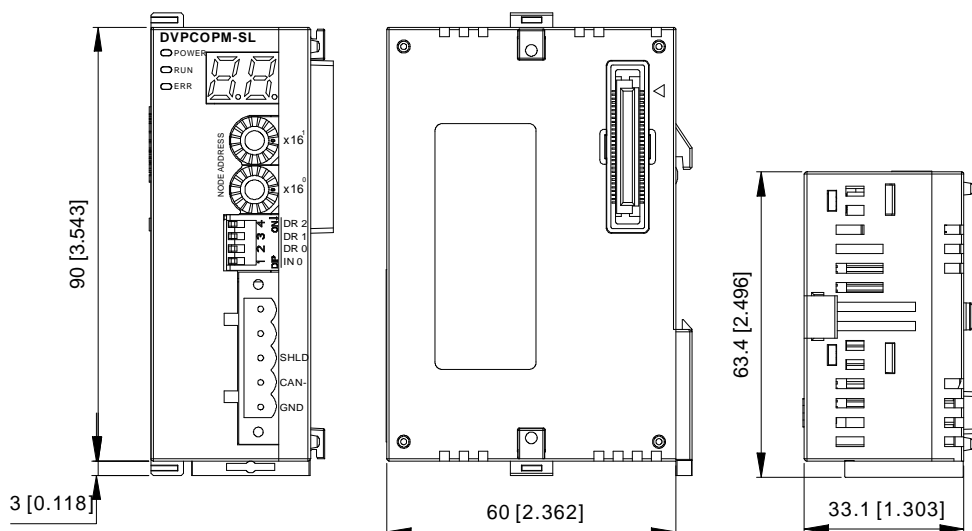
Of the left side of PLC (except DVP10MC11T), the position where the first DVPCOPM-SL is equipped is 1; the position where the second one is equipped is 2; and so on. Of the left side of DVP10MC11T, the position where the first DVPCOPM-SL is equipped is 2; the position where the second one is equipped is 3; and so on.

Position	Mapping area	Output Mapping Area	Input Mapping Area
1		D6282~D6476	D6032~D6226
2		D6782~D6976	D6532~D6726
3		D7282~D7476	D7032~D7226
4		D7782~D7976	D7532~D7726
5		D8282~D8476	D8032~D8226
6		D8782~D8976	D8532~D8726
7		D9282~D9476	D9032~D9226
8		D9782~D9976	D9532~D9726

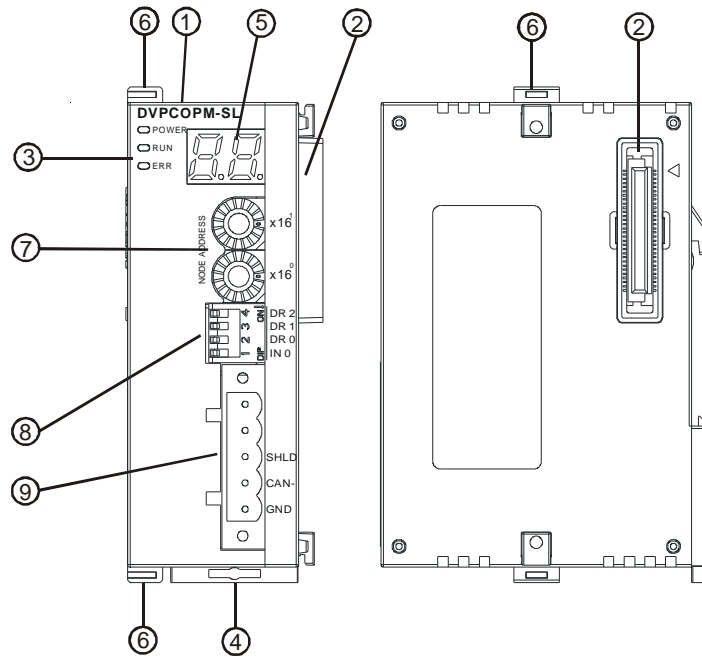
2 Product Profile & Outline

DVPCOPM-SL is composed of CANopen connection port, address switch, function switch, and digital display.

2.1 Dimension



2.2 Product Profiles

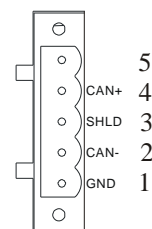


1. Model name	6. Fixing clip for I/O module
2. I/O module Interface	7. Address switch
3. POWER, RUN, ERR indicators	8. Function switch
4. DIN rail clip	9. CANopen connection port
5. Digital display	

2.3 CANopen Connection Port

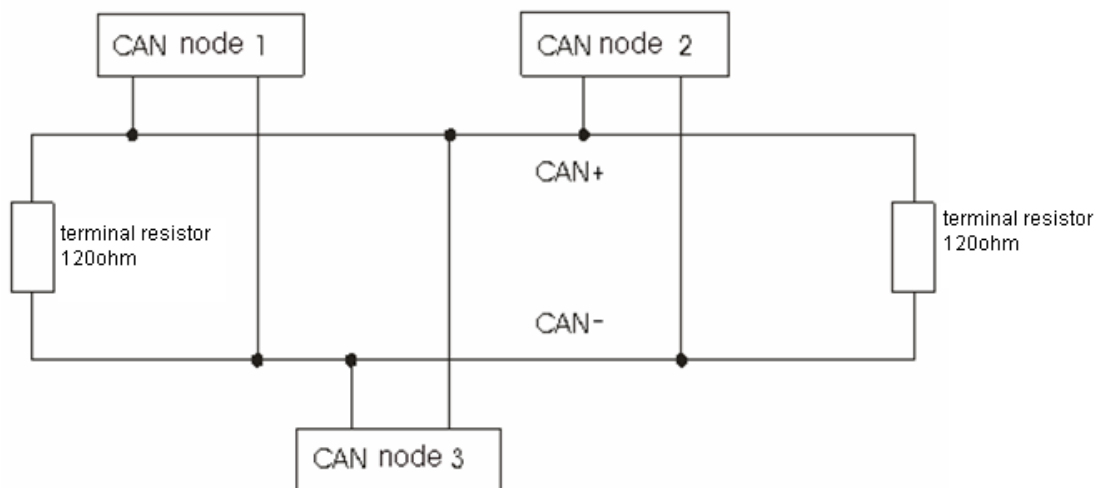
The connector is used on the connection to CANopen network. Wire by using the connector enclosed with DVPCOPM-SL.

PIN	Signal	Content
1	GND	0 VDC
2	CAN_L	Signal-
3	SHLD	Shielded
4	CAN_H	Signal+
5	-	Reserved



2.4 CAN Network Endpoint and Topology Structure

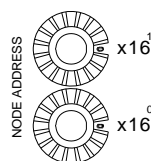
In order to make the CAN communication more stable, the two endpoints of the CAN network are connected to 120 ohm terminal resistors. The topology structure of the CAN network is illustrated below.



2.5 Address Switch

The switch is used on setting up the node address of DVPCOPM-SL on CANopen network. Range: 1 ~ 7F (0, 88 ~ FF are forbidden).

Switch setting	Content
1 ~ 7F	Valid CANopen node address
0, 80 ~ FF	Invalid CANopen node address



Example: If you need to set the node address of DVPCOPM-SL to 26 (1AH), simply switch the corresponding switch of $x16^1$ to 1 and the corresponding switch of $x16^0$ to A.

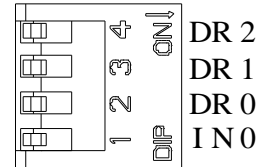
Note:

- Use slotted screwdriver to rotate the switch carefully in case you scratch the switch.
- Please set up the node address when the power is switched off. After the setup is completed, re-pose DVPCOPM-SL.

2.6 Function Switch

The switch is used on setting up the baud rate between DVPCOPM-SL and CANopen network (DR0 ~ DR2). See the table below for the baud rate and its maximum communication distance.

DR2	DR1	DR0	Baud rate (bps)	Max. communication distance (m)
OFF	OFF	OFF	10k	5,000
OFF	OFF	ON	20k	2,500
OFF	ON	OFF	50k	1,000
OFF	ON	ON	125k	500
ON	OFF	OFF	250k	250
ON	OFF	ON	500k	100
ON	ON	OFF	800k	50
ON	ON	ON	1M	25
IN0			See the explanation below	



Note:

If the firmware of DVPCOPM-SL is under V1.32, IN0 is invalid. But the function of IN0 is as below for the firmware of V1.32 and above.

- When IN0=ON and the master and slave make the connection, the master sends the NMT message (0x82 or 0x80) first and then the SDO message. The interval time is 100ms between the two messages. The timeout for SDO sending is 100ms.
- When IN0=OFF and the master and slave make the connection, the master sends the NMT message (0x82 or 0x80) first and then the SDO message. The interval time is 1s between the two messages. The timeout for SDO sending is 1s.

2.7 Digital Indicator

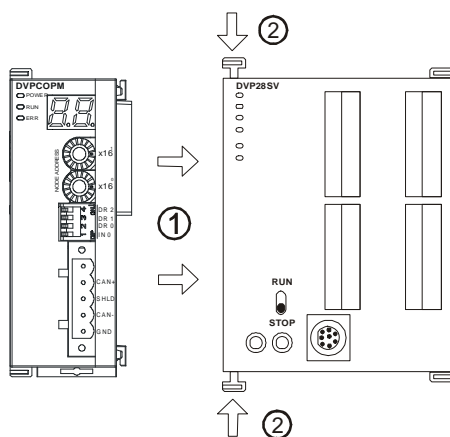
The digital indicator provides the following two functions:

- Displaying the node address of DVPCOPM-SL.
- Displaying the error message of slave.

3 Basic Operation

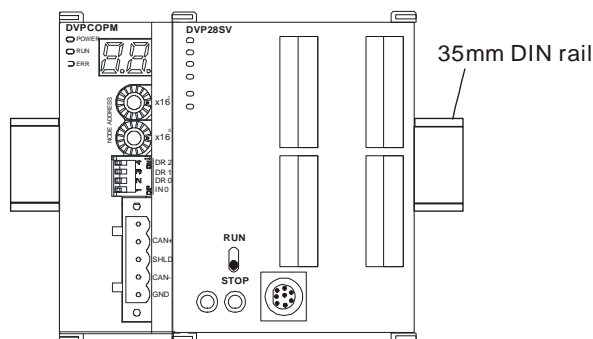
3.1 Connecting DVPCOPM-SL to DVP-SV CPU

- Open the fixing clip on top and bottom of DVP-SV. Meet the extension port of DVPCOPM-SL with DVP-SV, as ①.
- Press the fixing clips on top and bottom of DVP-SV and check is the connection is fine, as ②.



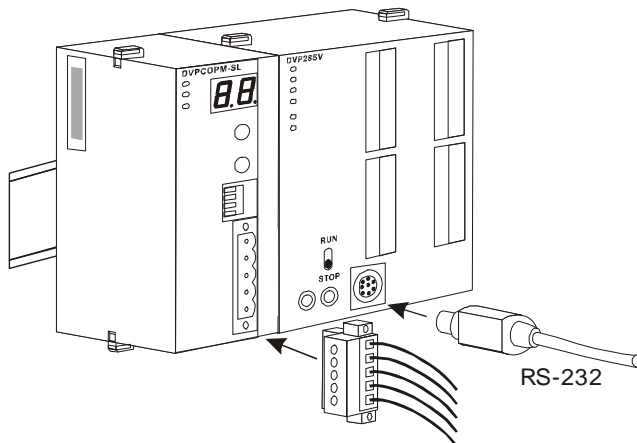
3.2 Installing DVPCOPM-SL and DVP-SV CPU on DIN Rail

- Use 35mm DIN rail.
- Open the DIN rail clip on DVP-SV and DVPCOPM-SL. Insert DVP-SV and DVPCOPM-SL onto the DIN rail.
- Clip up the DIN rail clips on DVP-SV and DVPCOPM-SL to fix DVP-SV and DVPCOPM-SL on the DIN rail, as shown below.



3.3 Connecting to CANopen Connection Port

- Please wire following the PIN definition of the connection port.
- There are two communication interfaces on DVP-SV to communicate with the PC. COM1 is the standard RS-232 interface, and COM2 RS-485. Both interfaces comply with Modbus protocol. The PC communicates directly to PLC through COM1.
- We recommend you also apply Delta's power module in the connection.



4 Constructing CANopen Network

In this section, we will introduce how to construct a complete CANopen network by using DVPCOPM-SL and other slaves.

Before constructing a network, you have to first know clearly what the network is for and start a preliminary planning for the data to be exchanged. The plan shall include the slaves to be used, type of transmission and the data to be exchanged, total length of data to be exchanged, requirement on the response time for data exchange, and so on. The information will decide whether the network you construct is a reasonable one, or if it satisfies your needs, and even affect the later-on network sustainability and flexibility of network capacity upgrade.

In the example below, we will illustrate how to control RUN/STOP and speed of a Delta ASD-B servo drive by a Delta digital I/O module DVP-08ST.

4.1 How to Construct a CANopen Network

Equipment and software required:

Equipment & software	Function
DVP-PS02	24V power supply module, supplying CANopen network.
DVP-PS01	24V power supply module, supplying DVP-12SA and remote I/O DVP-08ST.
DVP-28SV	DVP-SV PLC CPU
DVPCOPM-SL	CANopen master
DVP-12SA	DVP-SA PLC CPU
DVP-08ST	Digital I/O module
IFD9503	CANopen bus adapter
ASD-B	Delta B series servo drive
WPLSoft	DVP series PLC programming software
Delta CANopen Builder	CANopen configuration software for DVPCOM-SL master

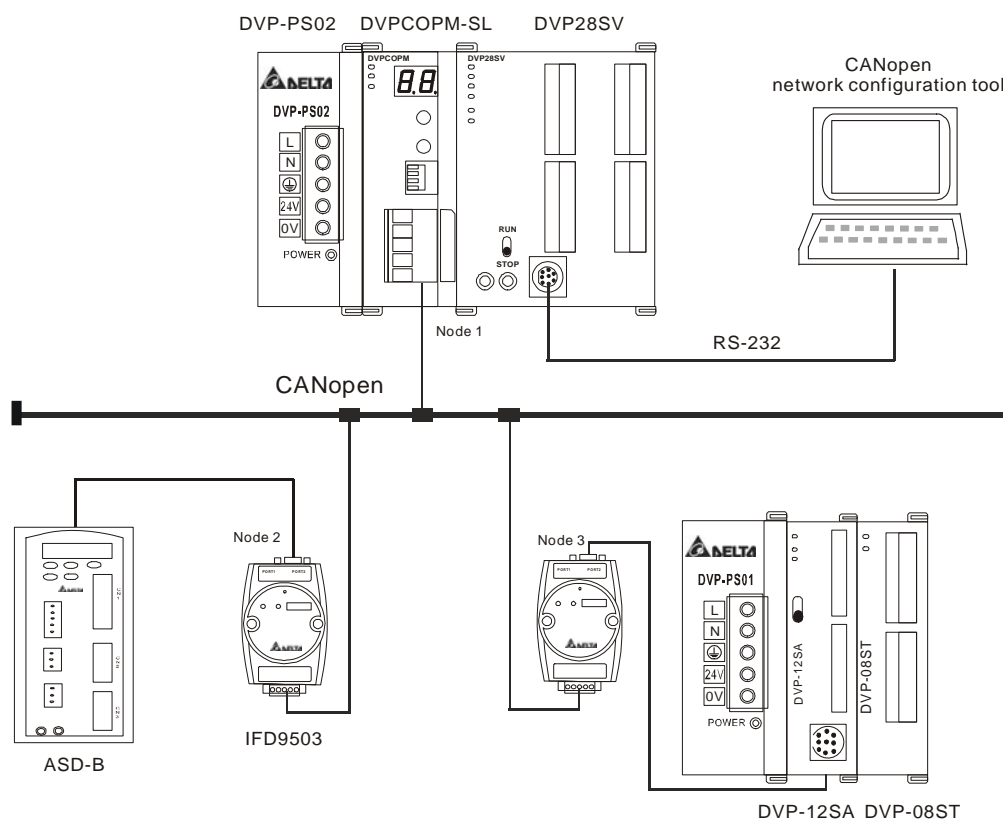
- Set up DVPCOPM-SL and IFD9503 according to the table below. For how to operate IFD9503, please refer to Chapter 13.

Module	Node address	Baud rate (bps)
DVPCOPM-SL	01	1M
IFD9503	02 (connected to ASD-B)	1M
IFD9503	03 (connected to DVP-12SA)	1M

Set up ASD-B as follows:

Parameter	Set value	Explanation
P1-01	02	Control mode: speed mode
P1-09	100 (rpm)	Internal speed command 1 (SP1)
P1-10	300 (rpm)	Internal speed command 2 (SP2)
P1-11	500 (rpm)	Internal speed command 3 (SP3)
P2-10	101	Function of DI1: Servo on
P2-11	114	Function of DI2: SPD0
P2-12	115	Function of DI3: SPD1
P2-18	102	Function of DO1: Output when servo on
P3-00	1	Modbus communication address
P3-01	5 (115,200 bps)	Modbus baud rate
P3-02	1 (7,E,1)	Modbus data format
P3-06	3F	DI1 ~ DI6 controlled by communication

- Constructing the CANopen network following the figure below.



About the connection between IFD9503 and PLC, IFD9503 and ASD-B, or IFD9503 and other equipment, please refer to Chapter 13. For the electrical specifications of ASD-B, please refer to ASD-B user manual.

4.2 Data Mapping in CANopen Network

- Data mapping in DVP-12SA

DVP-08ST, connected on the right hand side of DVP-12SA, offers 8 channels of digital input and 1 byte of input data. In this example, we will use X0 and X1 on DVP-08ST to RUN/STOP ASD-B and select speed. Y0 is for the output signal of ASD-B operational status. See the table below for more information.

Channel	Function
X0	Controlling RUN/STOP of ASD-B
X1, X2	Selecting the speed of ASD-B: X2 = 0, X1 = 1, selecting SP1 X1 = 1, X2 = 0, selecting SP2 X1 = 1, X2 = 1, selecting SP3
Y0	Operational status of ASD-B: On: RUN Off: STOP

Supposed IFD9503 is connected to DVP-12SA and exchanging data with DVPCOPM-SL master, the default length of input data is 8 bytes and output data is 8 bytes. D256 in DVP-12SA is the start device for input data, and D0 is the start device for output data. To realize the control function of X0, X1 and X2, we place the statuses of X0 ~ X2 to bit 0 ~ 2 of D256. That is, when X0 = On, bit 0 of D256 will become 1. When X1 = On, bit 1 of D256 will become 1. In this way, we can realize the control of RUN, STOP and speed of ASD-B by the changes in D256 through WPLSoft. The status word in ASD-B will then be sent to D0. That is, when bit 0 of D0 becomes 1, there will be signals at Y0.

I/O data area for DVPCOPM-SL master:

D register		15	14	13	12	11	10	9	8	7	6	5	4	3u,3	2	1	0
Input data	D6032	D256													X2	X1	X0
	D6033	D257															
	D6034	D258															
	D6035	D259															
	...																

Output data	D6282	D0														Y0	
	D6283	D1															
	D6284	D2															
	D6285	D3															
	...																

- Data mapping in ASD-B

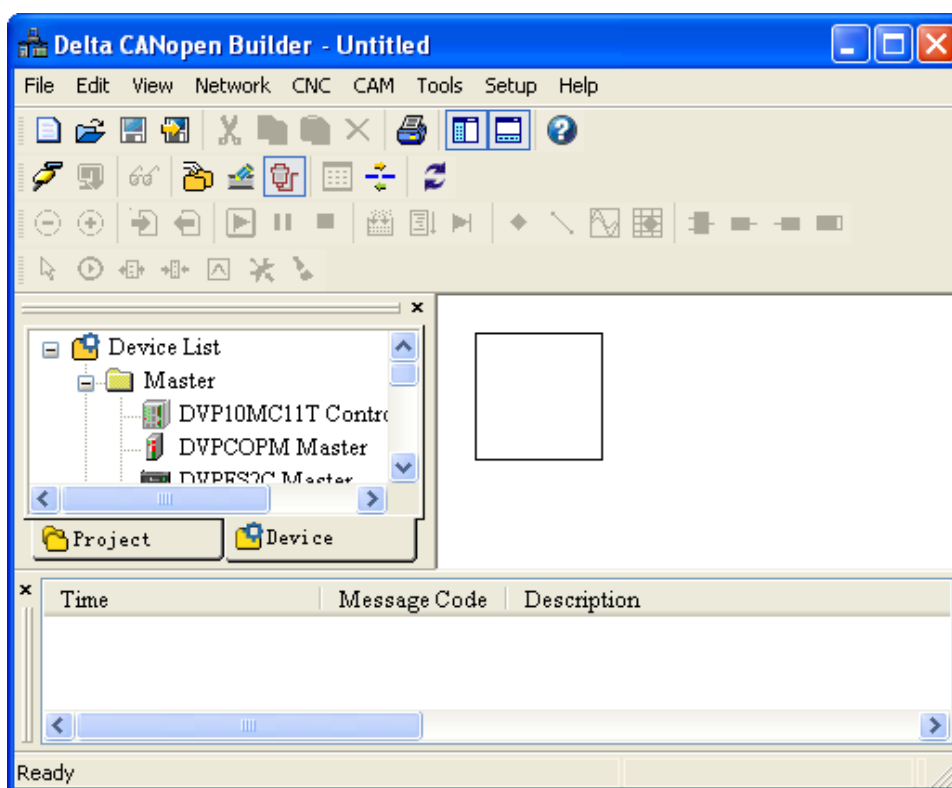
In this example, IFD9503 is the interface between ASD-B and CANopen network. In default setting, IFD9503 offers 1 word of input data and 1 word of output data to exchange data with DVPCOPM-SL master. See the table below for the relation between the parameters in ASD-B and the input and output data in DVPCOPM-SL master.

	D register	15	14	13	12	11	10	9	8	7	6	5	4	3	2	1	0
Input data	D6036	Multi-function digital output															
Output data	D6286	Multi-function digital input															

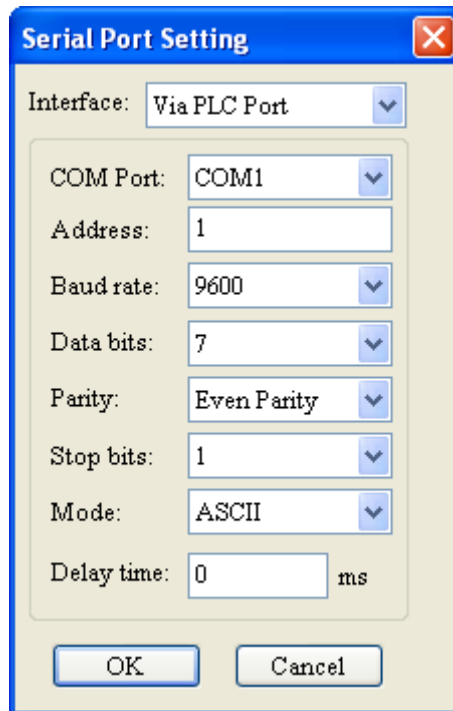
4.3 How to Configure Network by Delta CANopen Builder Software

- Using CANopen Builder to scan the network

(1) Open CANopen Builder software, as below:



- (2) Select "Setup" => "Communication Setting" => "System Channel", and the "Serial Port Setting" dialog box will appear.

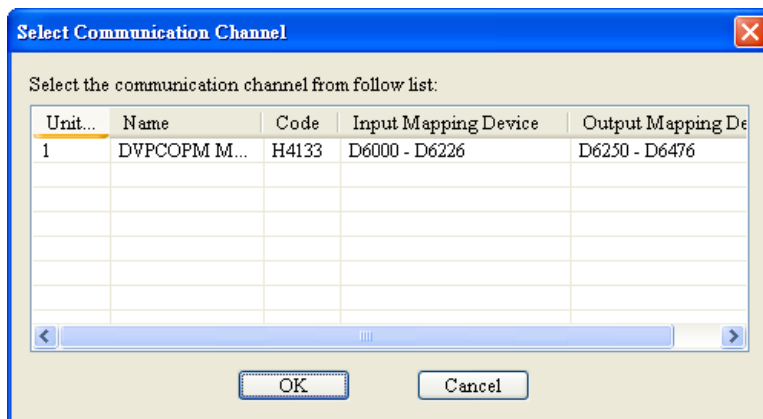


- (3) Set up the communication parameters in the PC and DVP-SV, e.g. the communication port, address, baud rate and communication format.

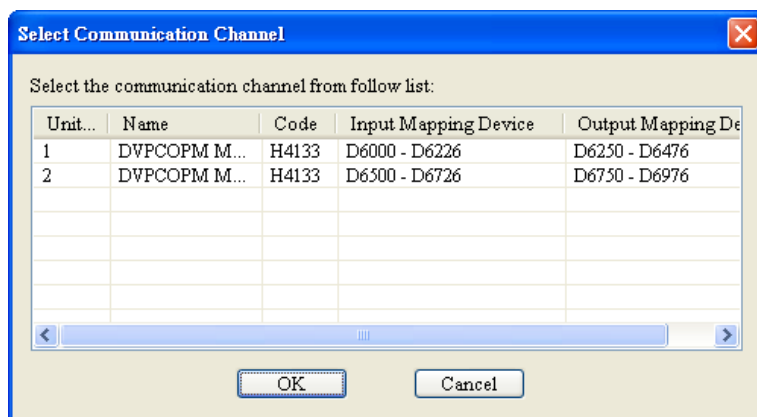
Item	Function	Default
COM Port	COM port on the PC to be used to communicate with DVP-SV	COM1
Address	Communication address of DVP-SV	1
Baud rate	Communication speed between the PC and DVP-SV	9,600 (bps)
Data Bits	Communication protocol between the PC and DVP-SV	7
Parity		Even Parity
Stop Bit		1
Mode	Communication mode between the PC and DVP-SV	ASCII

Click on "OK" and return to the main page.

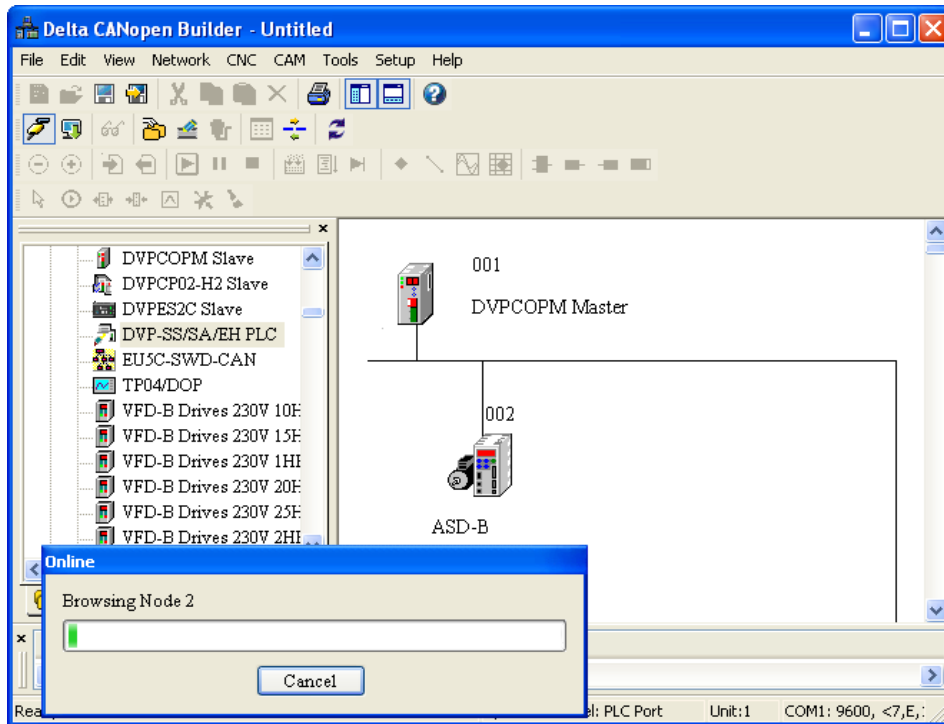
- (4) Select "Network" => "Online", and the "Select Communication Channel" dialog box will appear. In this example, if the connection with DVP-SV is in normal status, you will see the screen as below.



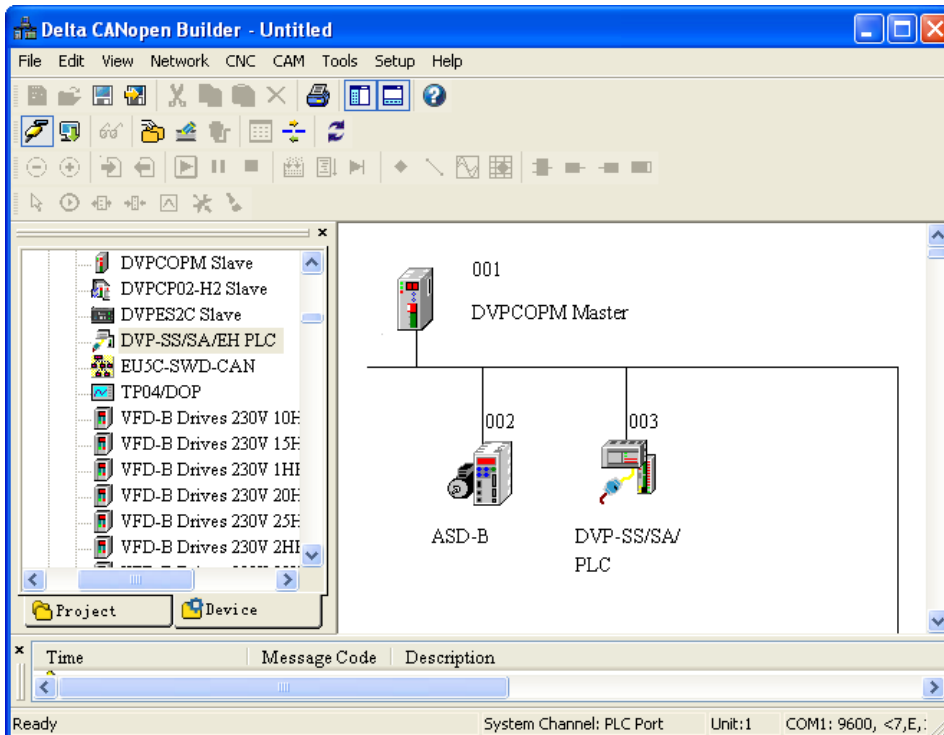
If there are more than one DVPCOPM-SL module (less than 8) connected to the left side of DVP-SV and supposed there are two connected in this example, after clicking on "Online", you will see the screen as below. The DVPCOPM-SL which is closest to DVP-SV is regarded as the first module, and so on.



- (5) Select the DVPCOPM-SL which needs to establish the communication. Click on “OK” and start to scan all the slaves in the network. If the network installation and power supply are normal, you will see the screen as below.

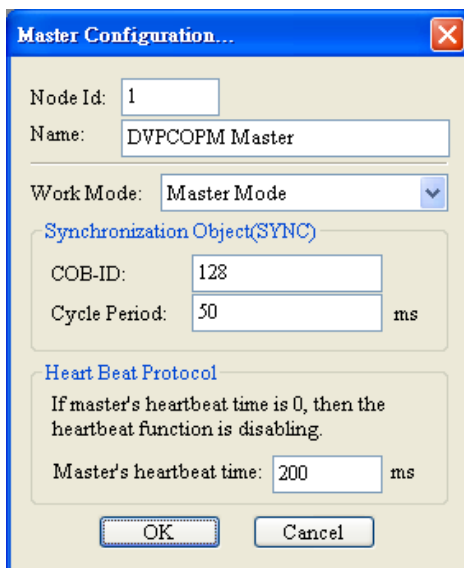


- (6) In normal condition, after the scan is over, you will find the master and all the slaves displayed in CANopen network, as below.



- Setting up parameters in CANopen master

Select "Network" => "Master Parameter", and you will see the dialog box as below.



Work Mode: The work mode of DVPCOPM-SL. You can select either "Master Mode" or "Slave Mode".

Cycle Period: The period of sending synchronous information.

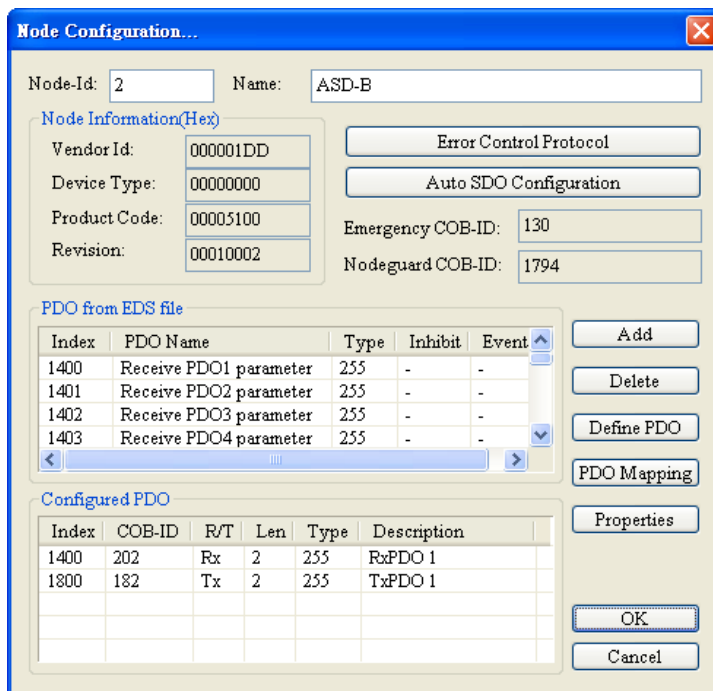
Master's heartbeat time: Time for DVPCOPM-SL to send out heartbeat.

After all the parameters are set up, click on "OK".

- Setting up parameters in CANopen slave

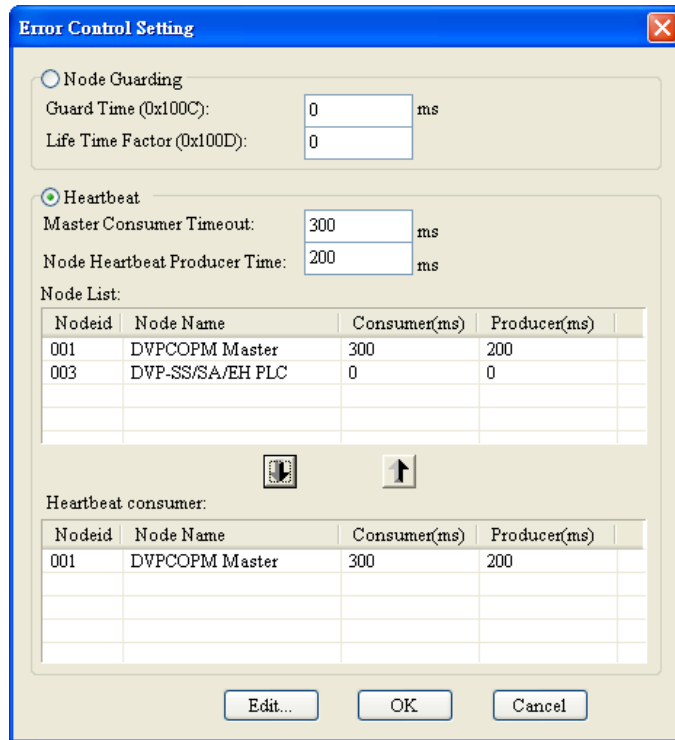
Take the parameter settings in ASD-B for example:

(1) Double click on ASD-B, and you will see the dialog box as below.



(2) Relevant parameter settings





Error Control Protocol: In the “Node Configuration...” page, click on “Error Control Protocol”, and you will see the dialog box appearing as below.



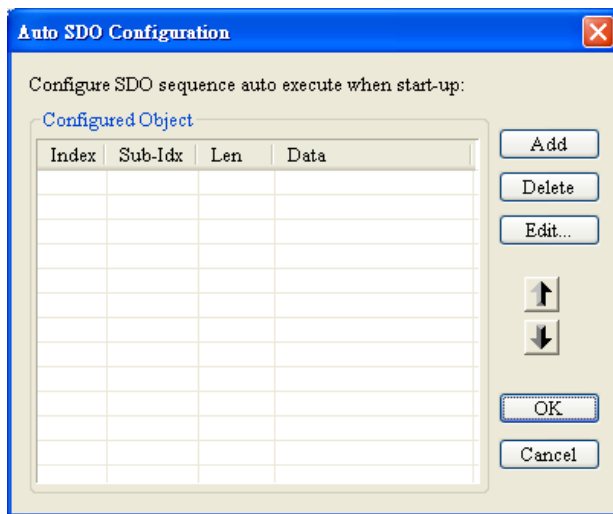
In this page, you can set up parameters for error control, e.g. “Master Consumer Timeout” and “Node Heartbeat Producer Time”. Please note that the value of “Master Consumer Timeout” shall be bigger than the value of “Node Heartbeat Producer Time”. After you have set up the heartbeat function, and the slave turns off-line and does not turn on-line within “Master Consumer Timeout”, the master will consider the slave off-line. If “Heartbeat” is selected, you cannot select “Node Guarding”. In “Heartbeat consumer”, you can add devices into the node list. Add a device A, and the slave will be able to monitor whether device A is on-line. Select a device and click on “Edit...” to modify the “Consumer” and “Producer” value.

Explanation of Parameters for above table is as below.

Parameter Name		Explanation	Remark
Node Guarding	Guard time	Master sends the guard message to slave in cycle of “Guard Time”.	When “Heartbeat” is selected, “Node Guarding” can not be selected.
	Life Time Factor	Life time=Guard Time x Life Time Factor. Slave does not respond to the polling from master within the period of Life Time and then master assumes the slave is offline.	

Parameter Name		Explanation	Remark
Heartbeat	Node heartbeat producer time	Slave sends the heartbeat message to master in cycle of “Node heartbeat producer time”	The time for “Master consumer timeout” should be longer than that for “slave heartbeat producer time”.
	Master consumer time-out	If master does not receive the heartbeat message from slave within the period of “master consumer timeout”, master assumes the slave is offline.	
Node list		All nodes configured in CANopen network are all displayed in node list.	--
Heartbeat consumer		The node configuring “error control setting” can monitor whether the nodes in the window of “Heartbeat consumer” are offline.	In “Heartbeat monitoring” is configured only one node.
 Icon		Select some node in “Node list” and add it to the window of “heartbeat monitoring” by clicking the icon  .	--
 Icon		Select one node in “Heartbeat” and then delete the selected node by clicking the icon  .	--
“Edit” Button		Select one node in “Heartbeat monitoring” and revise the monitoring time clicking “Edit...”	--
“OK” Button		By clicking “OK” return to the dialogue box of “Node configuration” and the parameters set in “Error control setting” are saved	--
“Cancel” Button		By clicking “Cancel” return to the dialogue box of “Node configuration” and the parameters set in “Error control setting” are invalid.	--

Auto SDO Configuration: In the “Node Configuration” page, click on “Auto SDO Configuration”, and you will see the page as below.



Click on “Add” to edit Auto SDO. Click on “Edit” to modify the Auto SDO selected. Please note that the Auto SDO cannot be longer than 8 bytes, and every slave is able to possess maximum 20 auto SDOs.

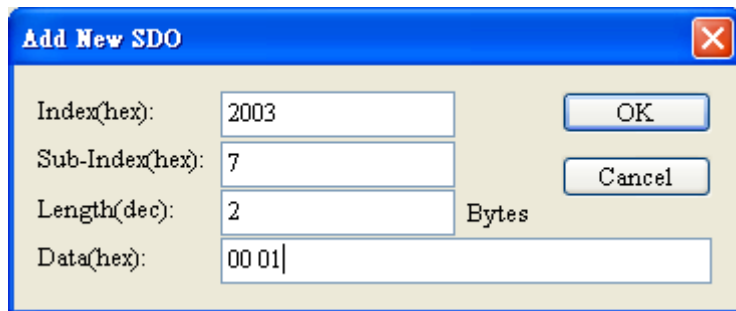
Below window pops up by clicking on “Add” button in above window. “Index (hex)”, “Sub-Index (hex)” are the index and sub-index of the parameters to be visited; “Length (dec)” is determined by the data type of the parameter to be visited with the unit: byte.

The data length of word type is 2. “Data (hex)” is the data of the parameter to be written with the data type of hex, low byte in the left, high byte in the right and space between every two bytes. For data type: double words, low word is in the left and high word is in the right.

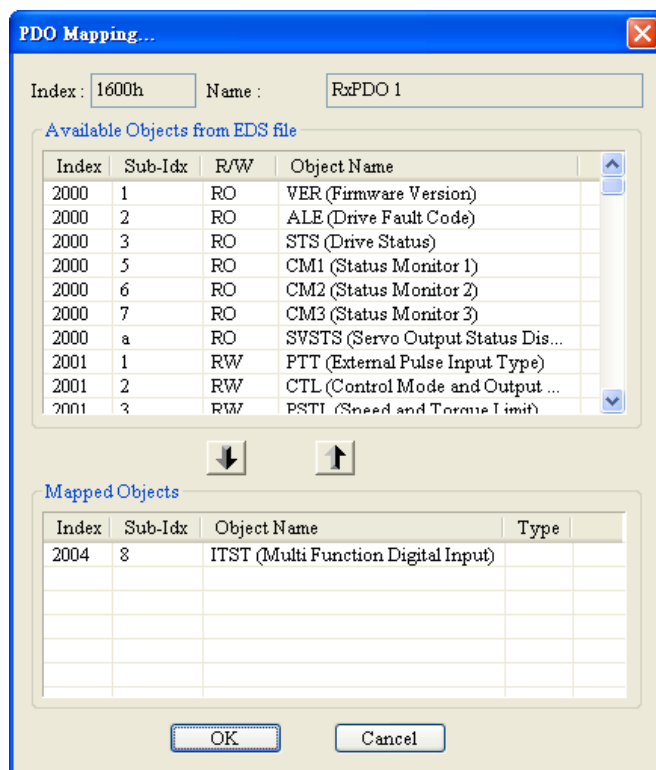
“Index (hex)”, “Sub-Index (hex)” are the index and sub-index of the parameters to be visited;

“Length (dec)” is determined by the data type of the parameter to be visited with the unit: byte.

The data length of word type is 2. “Data (hex)” is the data of the parameter to be written with the data type of hex, low byte in the left, high byte in the right and space between every two bytes. For data type: double words, low word is in the left and high word is in the right.

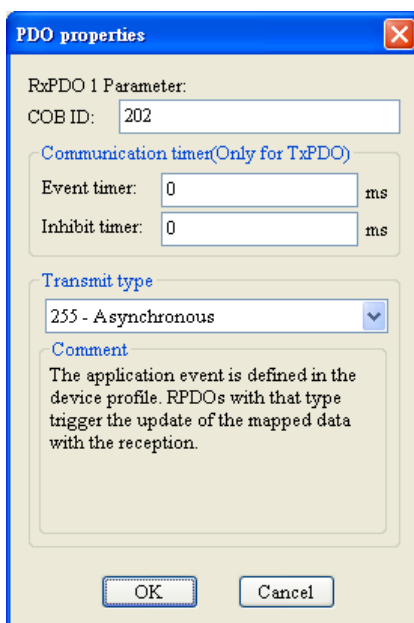


PDO mapping: In the “Node Configuration...” page, select a TxPDO or RxPDO in “Configured PDO” and click on “PDO Mapping”, and you will enter the “PDO Mapping...” page as below. You can add the parameters in “Available Objects from EDS file” into “Mapped Objects”. The total length of the parameters added in each PDO cannot exceed 8 bytes. After the configuration is completed, click on “OK”.



In the “Node Configuration...” page, click on “Properties” to enter the "PDO Properties" page and modify COB-ID and Transmit type. After the configuration is completed, click on “OK”. In the “Node Configuration...” page, click on “Define PDO” to self define RxPDO or TxPDO.

In this example, we adopt the default configuration. Finally, click “OK” in the “Node Configuration...” page.



PDO COB-ID setting rule is as follows.

RxPDO Number	COB-ID(HEX)	TxPDO Number	COB-ID (HEX)
RxPDO1	200+slave node address	TxPDO1	180+slave node address
RxPDO2	300+slave node address	TxPDO2	280+slave node address
RxPDO3	400+slave node address	TxPDO3	380+slave node address
RxPDO4	500+slave node address	TxPDO4	480+slave node address

Note:

COB-ID of RxPDO5~ RxPDO8, TxPDO5~ TxPDO8 can be the COB-ID of other slaves: RxPDO1~ RxPDO4, TxPDO1~ TxPDO4 which has not been used in the network yet. COB-ID of every PDO must not be same.

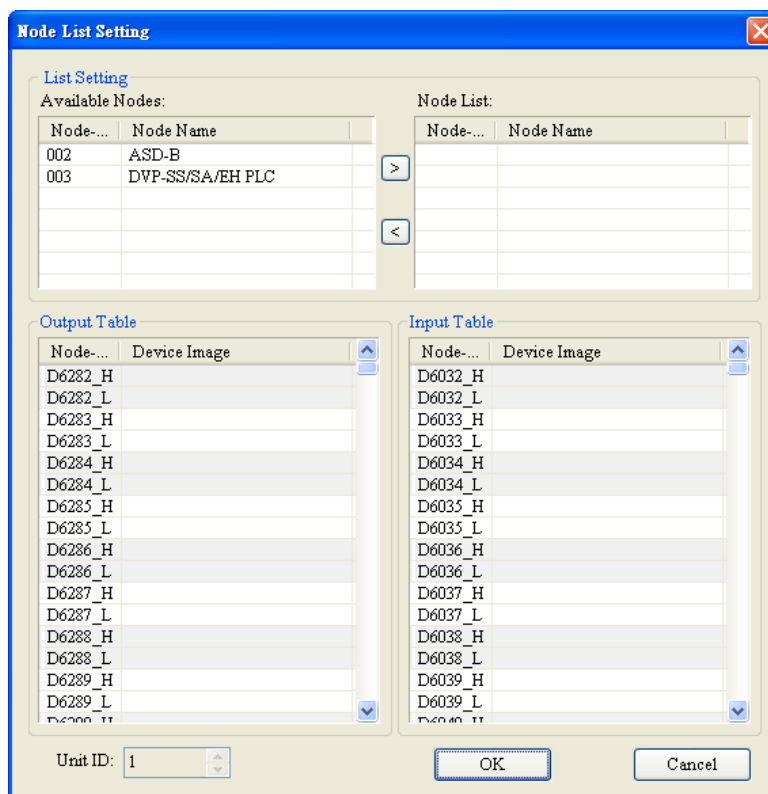
PDO transmission type is as below;


Transmission Type		Description	Remark
0	RxPDO	Master transmits a SYNCH message to slave every SYNCH cycle. When there is change for RxPDO data, RxPDO data is transmitted to slave and the data that slave receives is valid after receiving the next SYNCH message. When there is no change for RxPDO data, master does not transmit RxPDO data to slave.	SYNCH non-cycle
	TxPDO	Master transmits a SYNCH message to slave every SYNCH cycle. When TxPDO data changes, slave sends the TxPDO data to master after receiving SYNCH message, TxPDO data that master receives is valid immediately. When there is no change for TxPDO data, master does not transmit TxPDO data to slave.	
1	RxPDO	Master transmits a SYNCH message to slave every SYNCH cycle. Master sends out RxPDO data to slave once every SYNCH cycle. RxPDO data that slave receives from master is valid after slave receives the next SYNCH message.	SYNCH Cycle
	TxPDO	Master transmits a SYNCH message to slave every SYNCH cycle. Slave sends out TxPDO data to master once after receiving one SYNCH message. And then the TxPDO data master receives is valid immediately.	
2	RxPDO	Master transmits a SYNCH message to slave every SYNCH cycle. Master transmits RxPDO data to slave every two SYNCH cycles. The RxPDO data slave receives will be valid after slave receives the next SYNCH message.	SYNCH Cycle
	TxPDO	Master transmits a SYNCH message to slave every SYNCH cycle. Slave sends out TxPDO data to master once after receiving 2 SYNCH messages. And the TxPDO data master receives is valid immediately.	

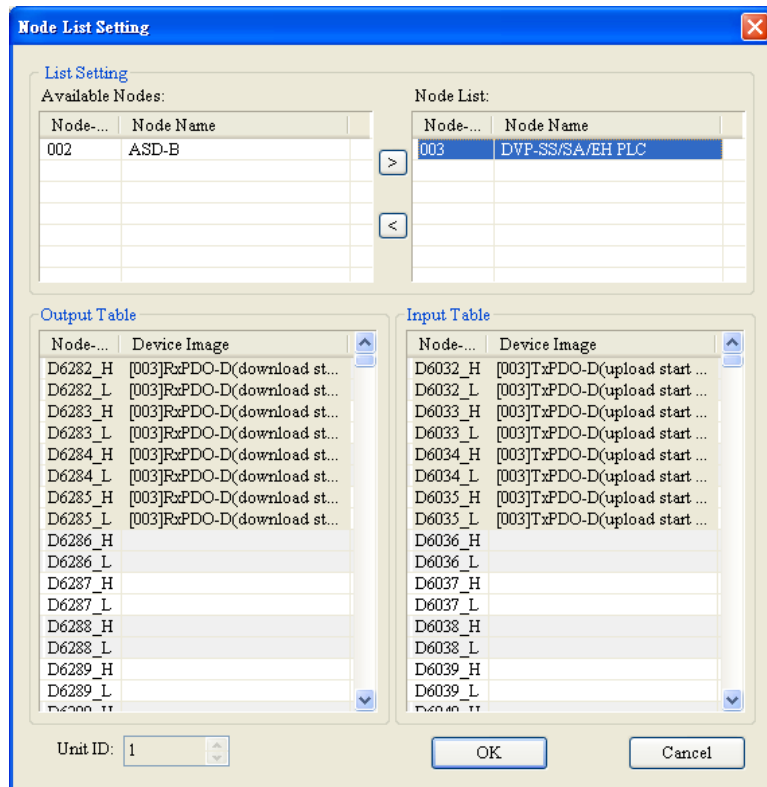
Transmission Type		Description	Remark
3~240	RxPDO	To analogize on basis of transmission type 1 and 2	SYNCH Cycle
	TxPDO	To analogize on basis of transmission type 1 and 2	
254	RxPDO	When there is any change for RxPDO, RxPDO data is transmitted to slave and the PxPDO that slave receives is valid immediately. When there is no change for RxPDO, master does not send RxPDO data to slave.	ASYNCH
	TxPDO	When Event timer and inhibit timer are both 0, TxPDO data is transmitted to master after TXPDO data changes and the data that master receives will be invalid immediately; when TxPDO data does not change, slave does not send out TxPDO data to master. When neither of Event timer and inhibit timer are 0, slave sends out TxPDO data to master once every a period of Event timer. After TxPDO data is sent out once, no TxPDO data is allowed to be sent out within the period of inhibit timer and when TxPDO data changes, TxPDO data is transmitted to master at once and the data that master receives will be valid immediately.	
255	RxPDO	Same as transmission type: 254	ASYNCH
	TxPDO	Same as transmission type: 254	

- Node List Setting

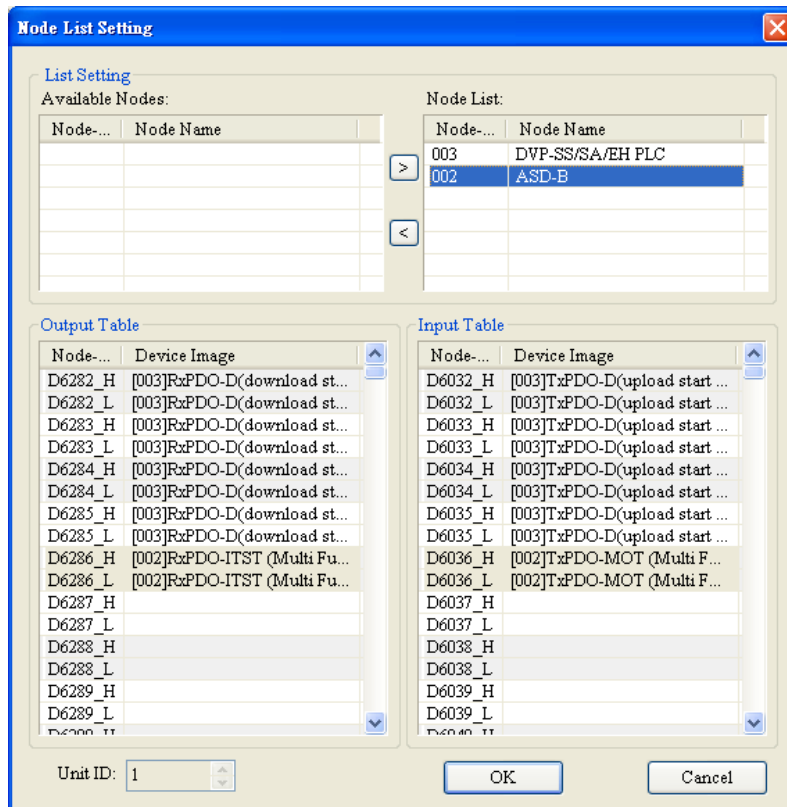
(1) Double click on "DVPCOPM Master" icon, and you will see the "Node List Setting" dialog box as below.



- (2) In this example, first select DVP-SS/SA/EH PLC at Node 003 and click on  to add this node into the node list. After this, select Node 003 in the node list, and you will be able to see how the I/O data correspond to D registers in DVP-SV from the Output Table and Input Table below.

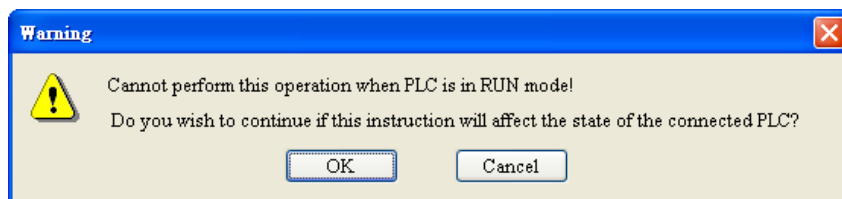


- (3) Add also Node 002 into the node list, and you will be able to see how the I/O data correspond to D registers in DVP-SV from the Output Table and Input Table below. Click on "OK" to complete setting up the node list.

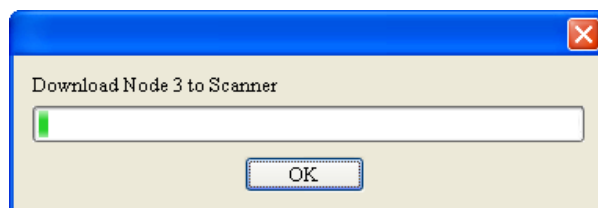


- Downloading the data to the master

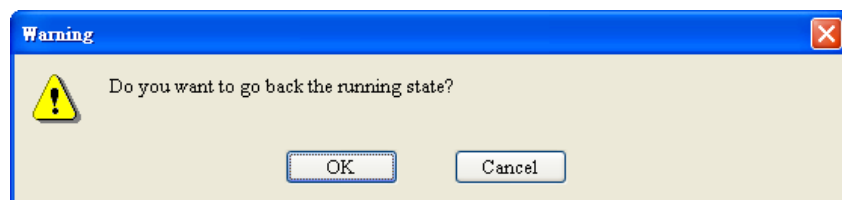
Select "Network" => "Download" to download the configuration data to DVPCOPM-SL master. If the PLC is in RUN status at this moment, you will be given a warning saying that you have to stop the operation before the download.



Click on "OK" to stop the PLC and start to download the data to the master.



After the download is completed, you will be given another warning, asking you if you would like to run the PLC again. Click on "OK" to restart the PLC program, or click on "Cancel" to stop the PLC.



4.4 Saving the Configuration Data

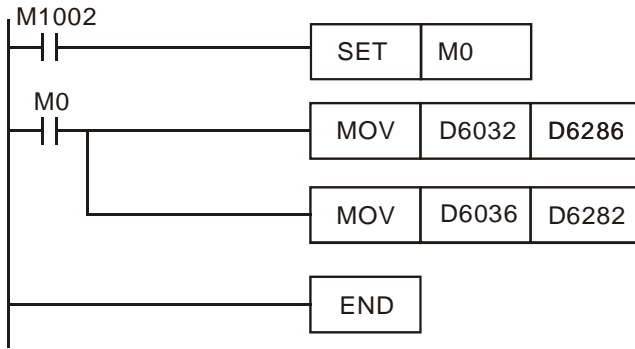
Select "File" => "Save" to save the current configuration data.

4.5 CANopen Network Control

In this section, we will introduce how to compile WPL program and control CANopen network.

- Target:
 1. When SW0 on Slave 3 is closed, the servo drive on Slave 2 will start to run.
 2. When SW0 on Slave 3 is open, the servo drive on Slave 2 will stop.
 3. When the status of SW1 and SW2 on Slave 3 is switched, the running speed of servo drive on Slave 2 can be modified.
 4. When the servo drive is running, the signal LED on Slave 2 will be On.
 5. When the servo drive stops, the signal LED on Slave 2 will be Off.

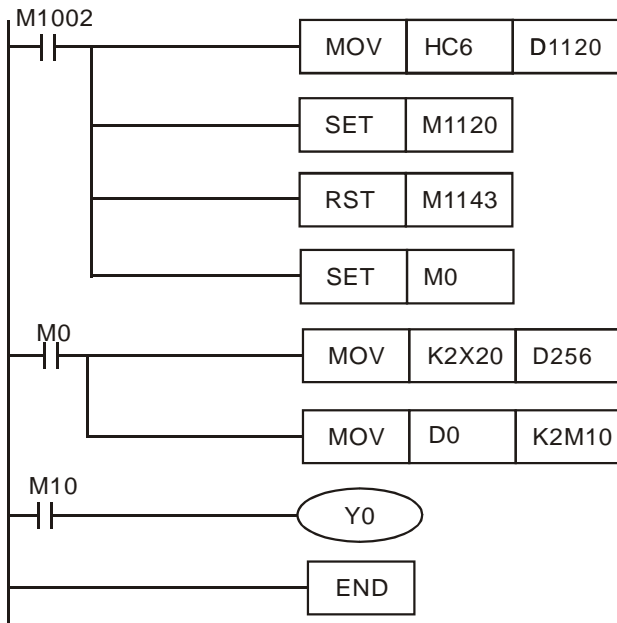
- The program in DVP-SV CPU (master):



- Program explanations:

1. The 2nd row of the program indicates sending the content of D256 in DVP-SA (mapped on D6032 of DVP-SV) to the control word (Multi-Function Digital Input, mapped on D6286 of DVP-SV) of the servo drive.
2. The 3rd row of the program indicates sending the output status of the servo drive (Multi-Function Digital Output, mapped on D6036 of DVP-SV) to D0 in DVP-SA (mapped on D6282 of DVP-SV).

- The program in DVP-SA CPU (slave):



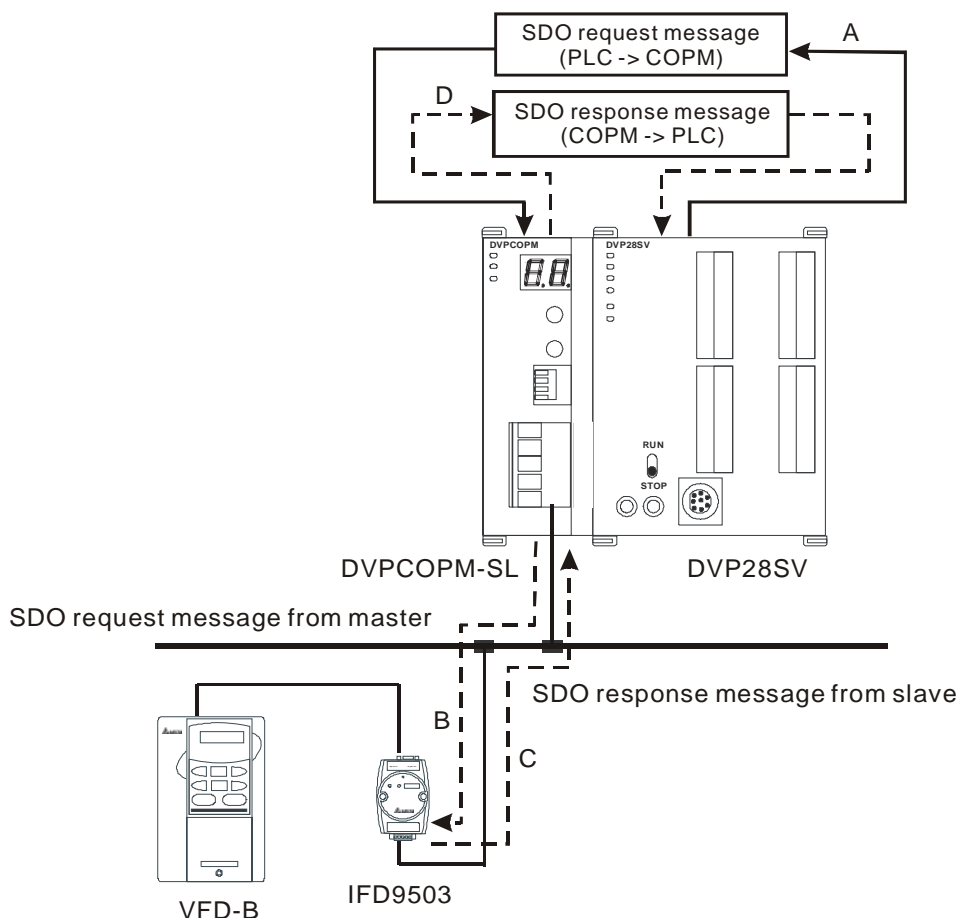
- Program explanations:

1. The first 3 rows of the program set up the communication format between DVP-SA and IFD9503, which is 115,200bps, 7E1-ASCII; communication port is COM2.
2. When M0 = On, send the input status of X20 ~ X28 on DVP-08ST to D256, and send the data in b0 ~ b15 of D0 to M10 ~ M25.
3. When D0 = 1, M10 will be On, and Y0 on DVP-SA CPU will output.

5 Sending SDO, NMT and Reading Emergency by Ladder Diagram

5.1 Principle

See the chart below for sending SDO by WPL program:



A: DVP-SV sends out request message to DVPCOPM-SL (master).

B: DVPCOPM-SL (master) sends out request message to the target equipment.

C: The target equipment processes the request message and sends the response message to DVPCOPM-SL.

D: DVP-SV receives SDO, NMT and Emergency data.

5.2 Structure of SDO Request Message

You can edit SDO, NMT and Emergency in “request message editing area”. Take the first DVPCOPM-SL master placed on the left hand side of DVP-SV for example. See the table below for the corresponding relation between “request message editing area” and “response message editing area” and the devices in PLC.

PLC device	Editing area	Editing length
D6000 ~ D6031	SDO response message and Emergency response message	64 bytes
D6250 ~ D6281	SDO request message, NMT service message and Emergency request message	64 bytes

See the table below for the format of SDO request message:

PLC device	Request Message																
		15	14	13	12	11	10	9	8	7	6	5	4	3	2	1	0
D6250	Message Header	ReqID								Command							
D6251		Reserved								Size							
D6252		Type								MAC ID							
D6253	Message Data	High byte of main index								Low byte of main index							
D6254		Reserved								Sub index							
D6255		Datum 1								Datum 0							
D6256		Datum 3								Datum 2							
D6257 ~ D6281		Reserved															

- Command: Fixed to "01Hex".
- ReqID: The request ID. Whenever an SDO request message is sent out, the message will be given a ReqID for CANopen master to identify. For the next request message to be sent out, you have to change the ID number. Range of ReqID: 00Hex ~ FFHex.
- Size: The length of the message. Max. 8 bytes. Unit: byte.
- MAC ID: The node address of the target equipment on CANopen network.
- Type: In SDO request message, 01Hex refers to SDO read message service; 02Hex refers to SDO write message service; 4FHex refers to read 1 byte of data; 60Hex refer to write 1/2/4 byte(s) of data; 80Hex refers to end SDO command. For example, if the type is 02Hex in SDO request message, it will become 60Hex for SDO response message when the writing of data is successful.
- Status code:

Status code	Explanation
0	No data transmission request
1	SDO data transmission is successful.
2	SDO data is being transmitted.
3	Error: SDO transmission time-out
4	Error: Illegal command
5	Error: Size of request message is illegal.
6	Error: Size of response message is illegal.
7	Error: Equipment to be sent messages is busy.
8	Error: Illegal type
9	Error: Incorrect node address
0A	Error message (See the error code for SDO response message)
0B ~ FF	Reserved

5.3 Structure of NMT Service Message

You can send the NMT request message to D6250 ~ D6281, and the slave will not respond with a message.

PLC device	Request Message																
		15	14	13	12	11	10	9	8	7	6	5	4	3	2	1	0
D6250	Message Header	ReqID								Command							
D6251		Reserved								Size (fixed to 04Hex)							
D6252		Type (fixed to 03Hex)								MAC ID							
D6253	Message Data	Reserved								NMT service code							
D6254		Reserved								MAC ID							

- Command: Fixed to "01Hex".
- ReqID: The request ID. Whenever an NMT request message is sent out, the message will be given a ReqID for the CANopen master to identify. For the next NMT request message to be sent out, you have to change the ID number. Range of ReqID: 00Hex ~ FFHex.
- MAC ID: The node address of the target equipment on CANopen network.
- NMT service code
- 01Hex: Enable remote node; 02Hex: Disable remote node; 80Hex: Enter pre-operational status; 81Hex: Reset application; 82Hex: Reset communication

Example: If you would like to stop node 03 equipment on CANopen network, you have to set NMT service code to "02Hex" and MAC ID to "03".

5.4 Structure of Emergency Request Message

See the table below for the format of Emergency request message:

PLC device	Request Message																
		15	14	13	12	11	10	9	8	7	6	5	4	3	2	1	0
D6250	Message Header	ReqID								Command							
D6251		Reserved								Size (fixed to 0)							
D6252		Type (fixed to 04Hex)								MAC ID							
D6253 ~ D6281	Message Data	Reserved															

See the table below for the format of Emergency response message:

PLC device	Response Message																
		15	14	13	12	11	10	9	8	7	6	5	4	3	2	1	0
D6000	Message Header	ReqID								Status							
D6001		Reserved								Size (2A Hex)							
D6002		Type (04Hex)								MAC ID							
D6003	Message Data	Total number of data								Number of data stored							
D6004		Datum 1								Datum 0							
D6005		Datum 3								Datum 2							
D6006		Datum 5								Datum 4							
D6007		Datum 7								Datum 6							
D6008 ~ D6011		Emergency2															

PLC device	Response Message																
		15	14	13	12	11	10	9	8	7	6	5	4	3	2	1	0
D6012 ~ D6015	Message Data	Emergency3															
D6016 ~ D6019		Emergency4															
D6020~ D6023		Emergency5															
D6024~ D6031		Reserved															

- Command: Fixed to "01Hex".
- ReqID: The request ID. Whenever an Emergency message is sent out, the message will be given a ReqID for the CANopen master to identify. For the next Emergency message to be sent out, you have to change the ID number. Range of ReqID: 00Hex ~ FFHex.
- MAC ID: The node address of the target equipment on CANopen network.
- Total number of data: The total number of Emergency messages CANopen master receives.
- Number of data stored: The latest number of Emergency messages CANopen master receives. (Every slave gives less than 5 messages.)

Note:

- CANopen master can only send out 1 SDO, NMT or Emergency request message to one piece of equipment at a time.
- When you use WPL program to send out SDO, NMT or Emergency request messages, we recommend you clear the "request message editing area" and "response message editing area" to 0.

5.5 Application Examples

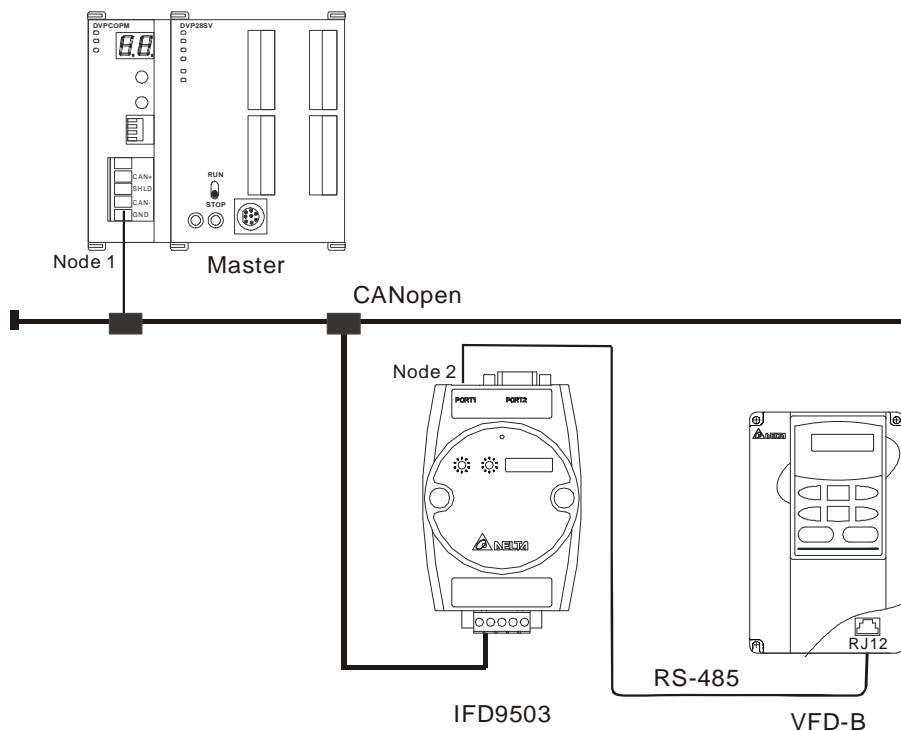
In this section, we will illustrate how to compile a WPL program to send out SDO and NMT messages or read Emergency request messages.

■ Example I

- Target:

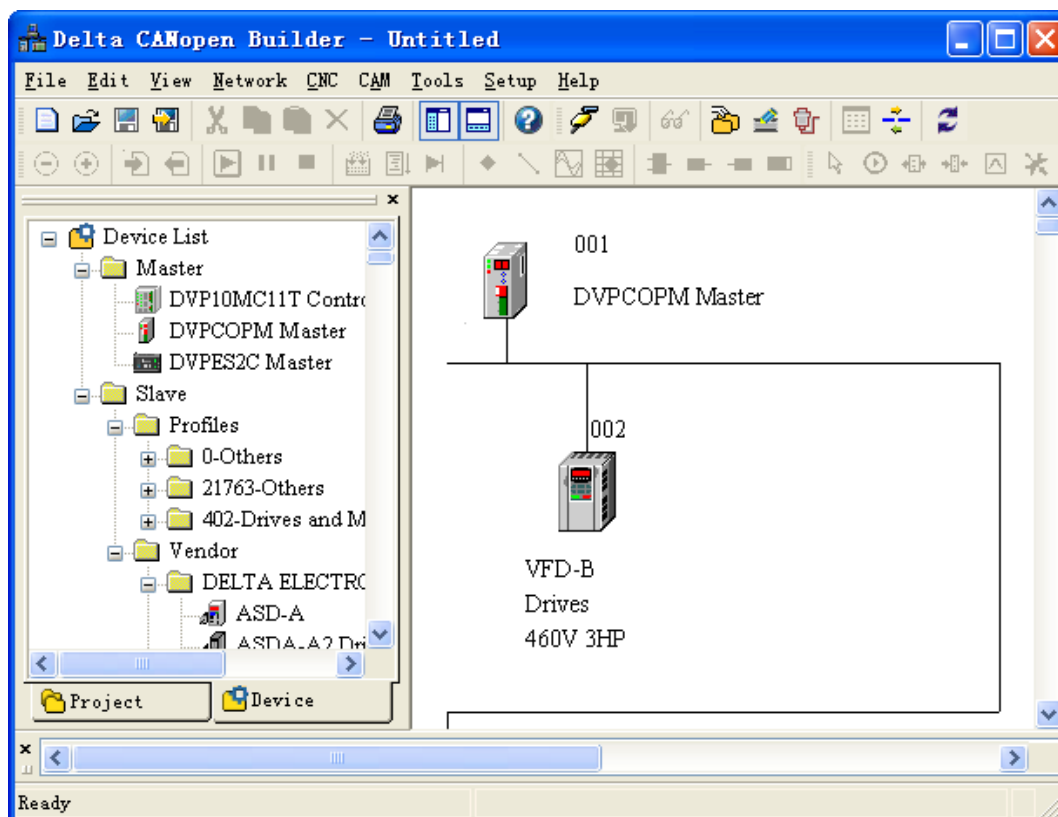
When M0 turns OFF to ON, read the content of index 2021, sub index 4 (i.e. actual output value of AC motor drive) in IFD9503.

- Hardware Connection:

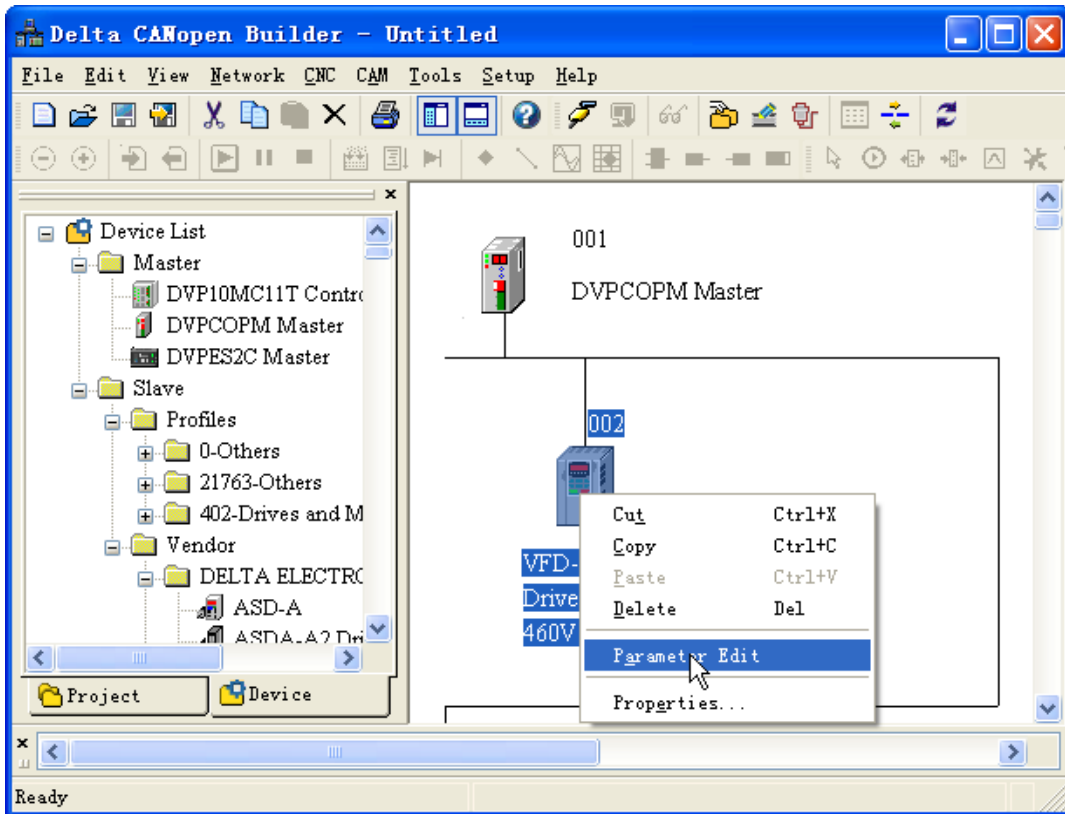


- Software operation:

Add a master and slave in the CANopen Builder software as below:

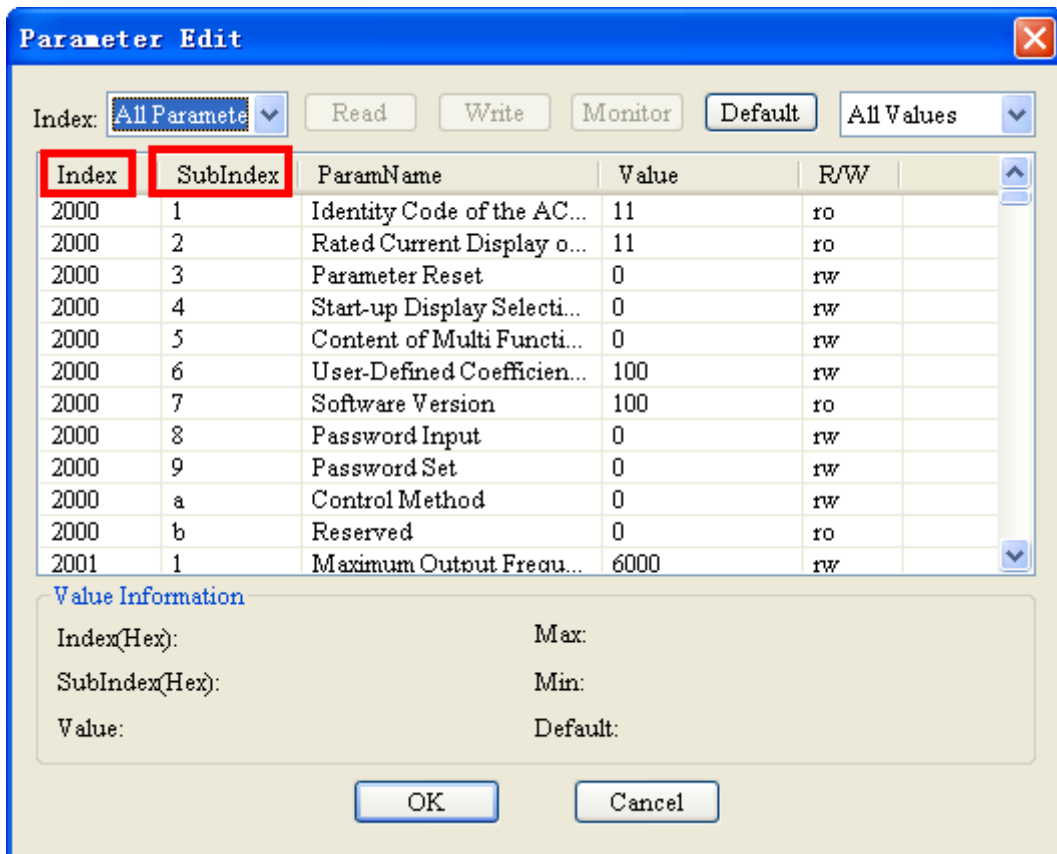


Right click the VFD icon and then click "Parameter Edit" on the menu which pops up.



The "Parameter Edit" dialog box appears subsequently.

From the following window, the VFD parameters and the corresponding index and subindex can be seen, which will be used in the program.



Required settings in DVPCOPM-SL:

Parameter	Setting	Explanation
Node address	01	Set the node address of DVPCOPM-SL to "01".
Baud rate	1 Mbps	Set the communication speed between DVPCOPM-SL and bus to "1 Mbps".

Required settings in IFD9503:

Parameter	Setting	Explanation
Node address	02	Set the node address of IFD9503 to "02".
Baud rate	1 Mbps	Set the communication speed between IFD9503 and bus to "1 Mbps".

Required settings in VFD-B AC motor drive:

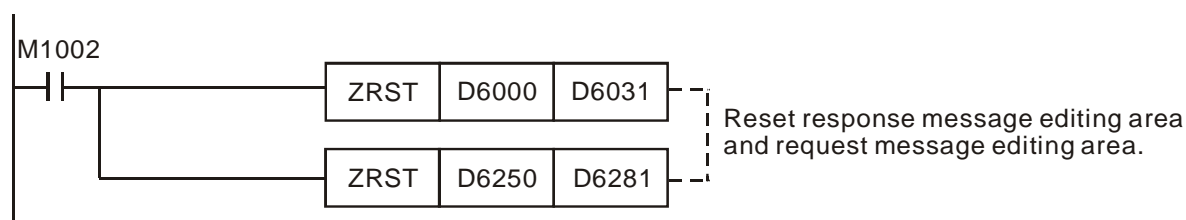
Parameter	Setting	Explanation
02-00	04	The main frequency is operated by RS-485 interface.
02-01	03	The running command is operated by communication interface. Operation by keys is valid.
09-00	01	Communication address of VFD-B: 01
09-01	03	Baud rate: 38,400 bps
09-04	03	Modbus RTU mode, format <8, N, 2>

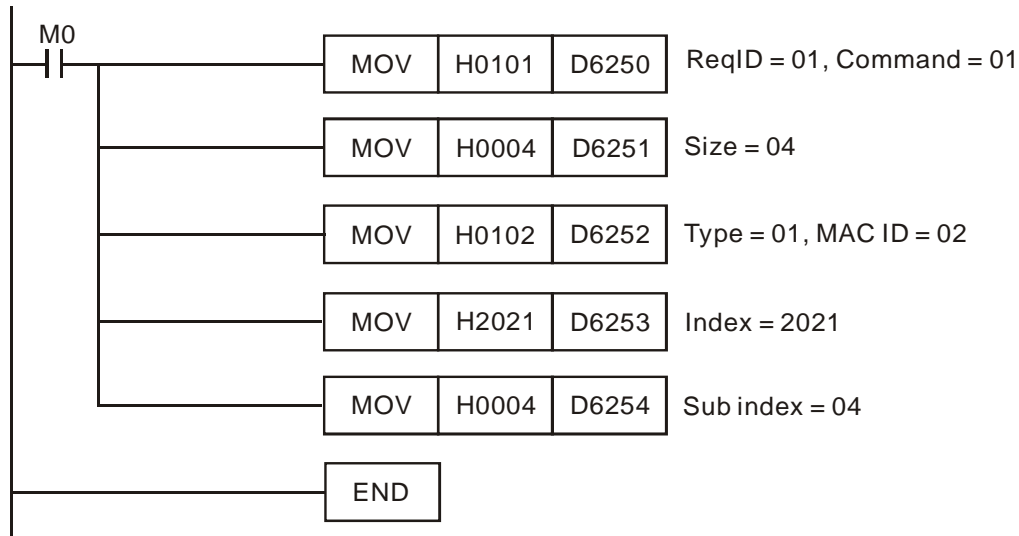
Devices in PLC:

PLC device	Content	Explanation															
		15	14	13	12	11	10	9	8	7	6	5	4	3	2	1	0
SDO request message editing area	D6250	ReqID = 01Hex								Command = 01Hex							
	D6251	Reserved								Size = 04Hex							
	D6252	Type = 01Hex								MAC ID = 02Hex							
	D6253	High byte of index = 20Hex								Low byte of index = 21Hex							
	D6254	Reserved								Sub index = 04Hex							
SDO response message editing area	D6000	ReqID = 01Hex								Status = 01Hex							
	D6001	Reserved								Size = 06Hex							
	D6002	Type = 4BHex								MAC ID = 02Hex							
	D6003	High byte of index = 20Hex								Low byte of index = 21Hex							
	D6004	Reserved								Sub index = 04Hex							
	D6005	Datum 1 = 01Hex								Datum 0 = 00Hex							

☞ 0100Hex in D6005 refers to the actual output frequency of the AC motor drive is 2.56Hz.

- PLC program





- Program explanation

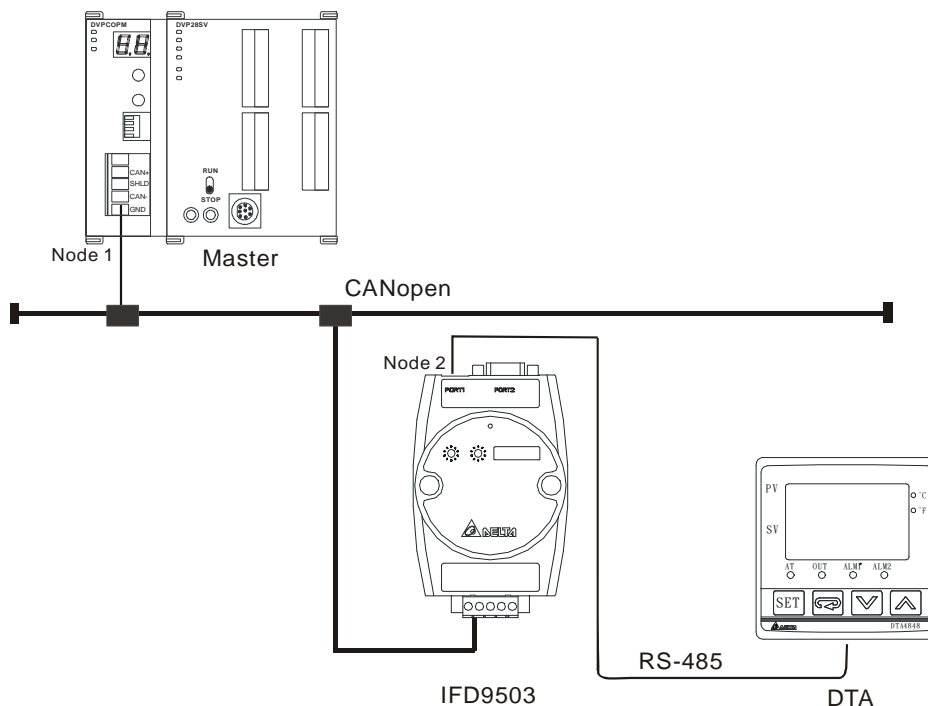
1. The program first reset the SDO request message editing area and SDO response message editing area to 0.
2. When M0 = On, CANopen master will send out SDO request message and read the contents in index 2021, sub index 4 of the target equipment (at node address 02). If the communication is successful, the slave will return with the response message.
3. When M0 = On, CANopen master will send out request message only once. If you would like it to send out messages again, you will have to change the ReqID.
4. The messages returned from the target equipment are stored in D6000 ~ D6005.

- Example II

- Target:

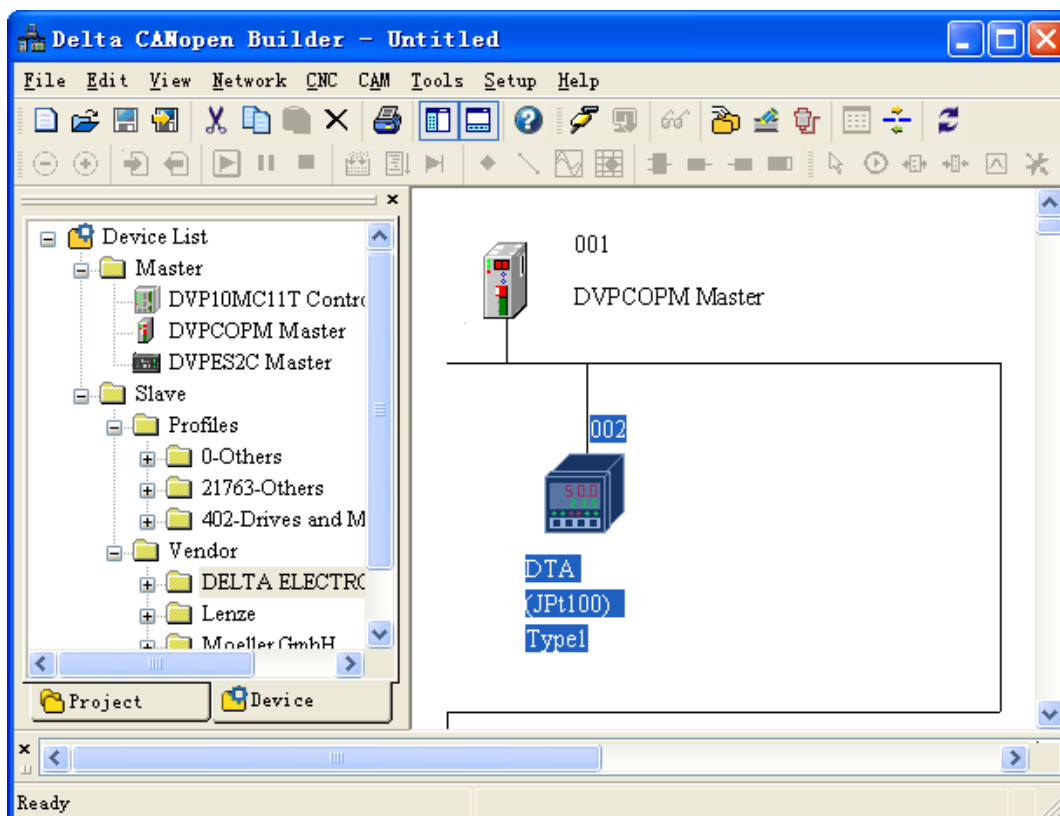
When M0 turns OFF to ON, set the content in index 2047, sub index 2 (i.e. the control word of the target temperature) in IFD9503 to 0104Hex (i.e. 26.0°C). Please note that you have to write 0401Hex into D6255 of the PLC.

- Hardware connection:

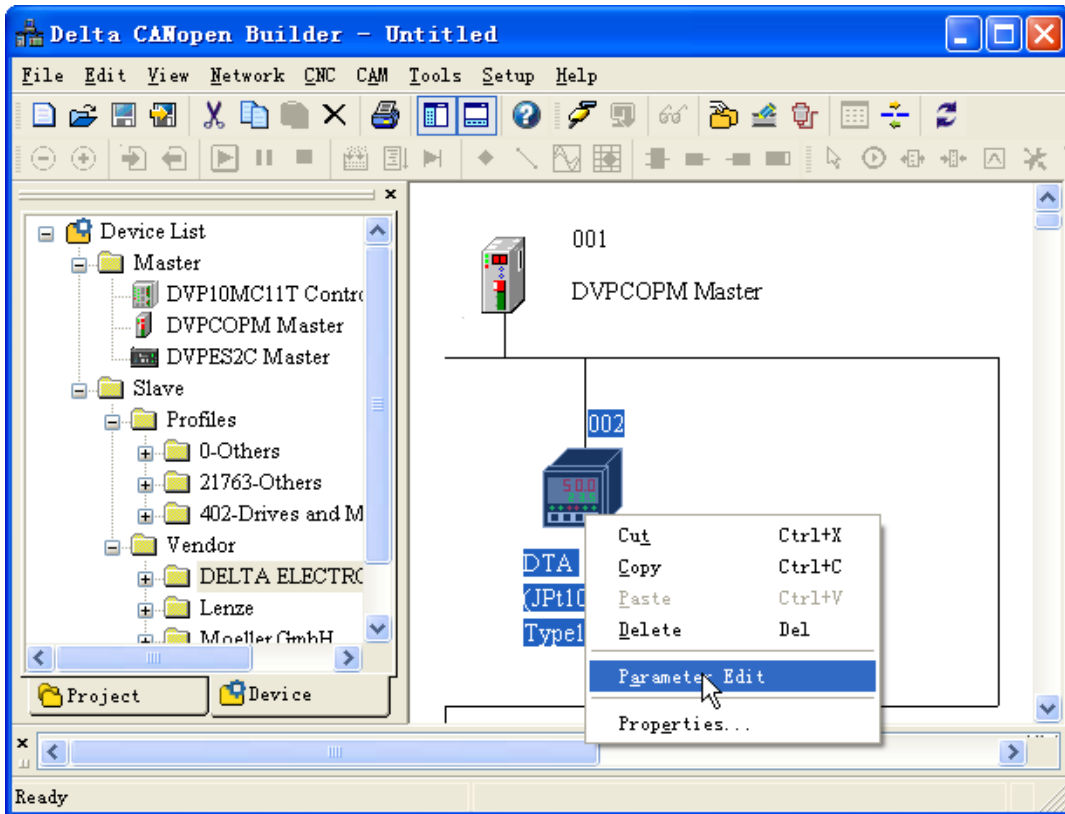


- Software operation:

Add a master and slave to the CANopen Builder software as below.

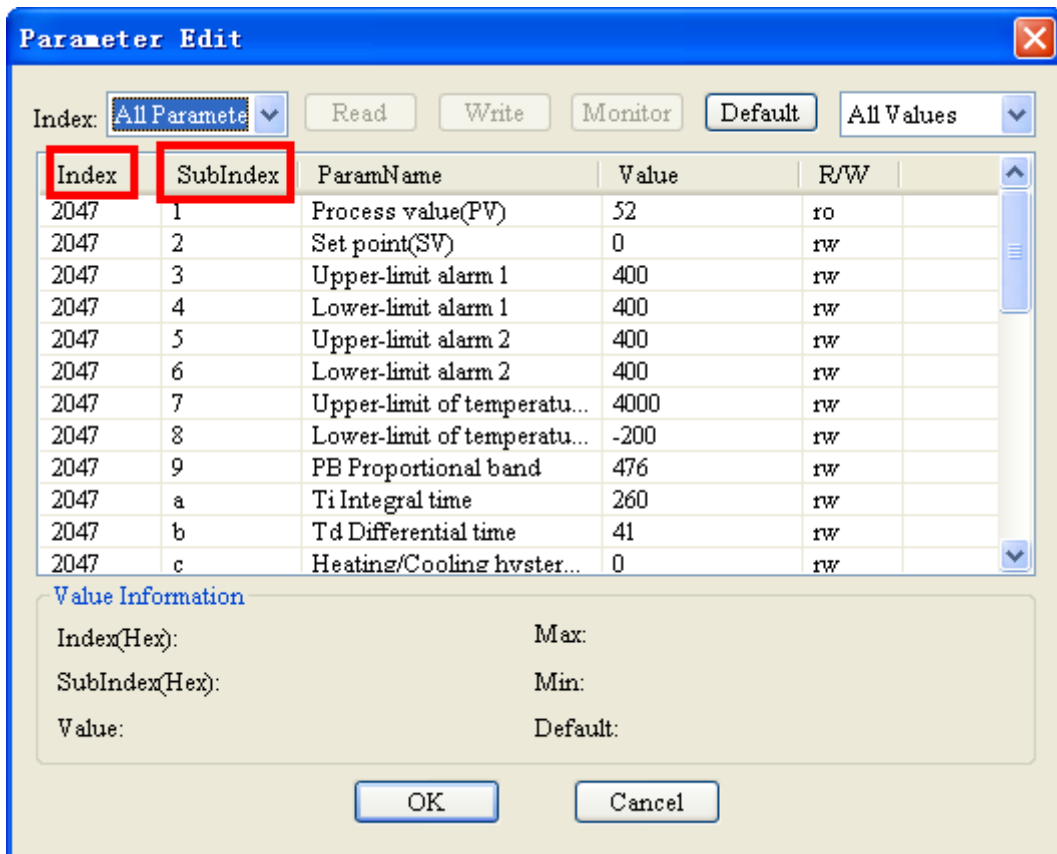


Right click the DTA icon and then click "Parameter Edit" on the menu which pops up.



The "Parameter Edit" dialog box appears subsequently.

From the following window, the DTA parameters and the corresponding index and subindex can be seen, which will be used in the program.



- Master and slave parameters setting:

Required settings in DVPCOPM-SL:

Parameter	Setting	Explanation
Node address	01	Set the node address of DVPCOPM-SL to "01".
Baud rate	1 Mbps	Set the communication speed between DVPCOPM-SL and the bus to "1 Mbps".

Required settings in IFD9503:

Parameter	Setting	Explanation
Node address	02	Set the node address of IFD9503 to "02".
Baud rate	1 Mbps	Set the communication speed between IFD9503 and the bus to "1 Mbps".

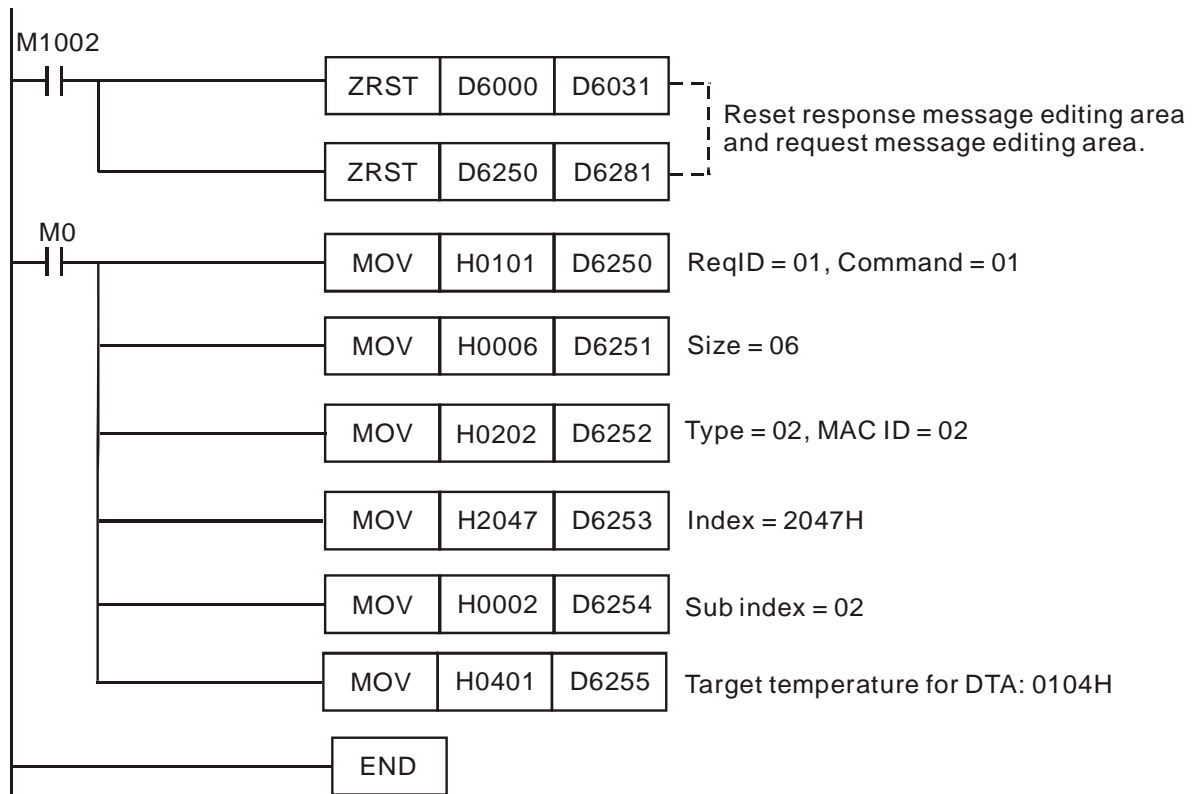
Required settings in DTA temperature controller:

Parameter	Setting	Explanation
COSH	On	C WE: Enable/disable communication write-in
C-SL	ASCII	C-SL: Select ASCII or RTU format
C-no	1	C NO: Set up communication address
bPS	38400	BPS: Set up communication speed
LEn	7	LENGTH: Set up data length
Prty	E	PARITY: Set up parity bit
StoP	1	STOP BIT: Set up stop bit
tPUn	°C	UNIT: Select temperature unit, °C or °F

Devices in PLC

PLC Device	Content	Explanation															
		15	14	13	12	11	10	9	8	7	6	5	4	3	2	1	0
SDO request message editing area	D6250	ReqID = 01Hex								Command = 01Hex							
	D6251	Reserved								Size = 06Hex							
	D6252	Type = 02Hex								MAC ID = 02Hex							
	D6253	High byte of index = 20Hex								Low byte of index = 47Hex							
	D6254	Reserved								Sub index = 02Hex							
	D6255	Datum 1= 04Hex								Datum 0= 01Hex							
SDO response message editing area	D6000	ReqID = 01Hex								Status = 01Hex							
	D6001	Reserved								Size = 04Hex							
	D6002	Type = 60Hex								MAC ID = 02Hex							
	D6003	High byte of index = 20Hex								Low byte of index = 47Hex							
	D6004	Reserved								Sub index = 02Hex							

● PLC program



● Program explanation

1. The program first reset the SDO request message editing area and SDO response message editing area to 0.
2. When M0= On, CANopen master will send out SDO request message and write 0104Hex into index 2047, sub index 2 of the target equipment (at node address 02). If the communication is successful, the slave will return with the response message.
3. When M0 = On, CANopen master will send out request message only once. If you would like it to send out messages again, you will have to change the ReqID.
4. The messages returned from the target equipment are stored in D6000 ~ D6004.

6 Network Node Status Display

All slave state of CANopen network can be read through reading 5002/1 (index/subindex) value by sending SDO via ladder diagram; master state of CANopen network can be read through reading 5003/1 (index/subindex) value by sending SDO via ladder diagram; CANopen network state can be read through reading 5004/1 (index/subindex) value by sending SDO via ladder diagram.

6.1 Slave State of CANopen Network

User can read the content value for H'5002->H'01 to acquire the slave status message of CANopen network by sending SDO.

Index	Subindex	Object Name	Data Type	Access Permission	Default
H'5002	H'00	Entry	Unsigned 16 bits	RO	---
	H'01	Status word for node 1 ~ node 127	Unsigned 128 bits	RO	---

The corresponding relations between index H'5002>> subindex H'01 and network nodes are as follows.

H'5002>>H'01	Corresponding Network Node					
	b15	b14	b13	b1	b0
Word 0	Node 15	Node 14	Node 13	Node 1	Reserved
Word 1	Node 31	Node 30	Node 29	Node 17	Node 16
Word 2	Node 47	Node 46	Node 45	Node 33	Node 32
Word 3	Node 63	Node 62	Node 61	Node 49	Node 48
Word 4	Node 79	Node 78	Node 77	Node 65	Node 64
Word 5	Node 95	Node 94	Node 93	Node 81	Node 80
Word 6	Node 111	Node 110	Node 109	Node 97	Node 96
Word 7	Node 127	Node 126	Node 125	Node 113	Node 112

The corresponding bit is in off status when the nodes in the node list of master module are normal; the corresponding bit is in on status when the nodes in the node list of master module are abnormal, e.g. Initializing fails or other abnormality causes slave offline.

6.2 Master Status of CANopen Network

User can read the content value for H'5003>>H'01 to acquire the master module status message of CANopen network by sending SDO. When master module is at normal work, the content value for H'5003>>H'01 is 0; when there is any error in master module, the content value for H'5003>>H'01 is the corresponding error code.

Index	Subindex	Object Name	Data Type	Access Permission	Default
H'5003	H'00	Entry	Unsigned 16 bits	RO	---
	H'01	Status of master module	Unsigned 16 bits	RO	---

Explanation of the Content value for H'5003>>H'01

Content Value	Explanation	Actions
F1	Slave has not been added to node list of CANopen Builder.	Add slave to node list and redownload configuration to DVPCOPM-SL
F2	In process of downloading configuration to DVPCOPM-SL.	Wait till the configuration is finished downloading.
F3	DVPCOPM-SL in error status	Redownload configuration and change into a new DVPCOPM-SL if the error still exists.
F4	Bus-off is detected	Check the wiring for all cables of CANopen network is proper; ensure all nodes in network are at same baud rate and finally repower DVPCOPM-SL.
F5	The setting for DVPCOPM-SL node address is incorrect	The DVPCOPM-SL node address should be set in the range of 1~127.
F9	Low-voltage detection error	Check and ensure the work power of DVPCOPM-SL is normal.
FA	The inner part of DVPCOPM-SL firmware is in error state.	Repower DVPCOPM-SL.
FB	The storage space sending data in DVPCOPM-SL is full.	Check and ensure bus cable connection is normal and then repower DVPCOPM-SL.

Content Value	Explanation	Actions
FC	The storage space receiving data in DVPCOPM-SL is full.	Check and ensure bus cable connection is normal and then repower DVPCOPM-SL.
0	Master is in normal status	--

6.3 CANopen Network Status

User can read the content value for H'5004>>H'01 to acquire CANopen network status message by editing ladder diagram to send SDO. When all nodes of CANopen network are all at normal work, the content value for H'5004>>H'01 is 0; when any node of CANopen network is abnormal or initializing fails, the content value for H'5004>>H'01 is 1.

Index	Subindex	Object Name	Data Type	Access Permission	Default
H'5004	H'00	Entry	Unsigned 16 bits	RO	---
	H'01	CANopen network status	Unsigned 16 bits	RO	---

6.4 Data Structure of SDO Request Message

Here, SDO request message structure is for 5002/1 (index/ subindex), 5003/1 (index/ subindex), 5004/1 (index/ subindex) only and can be realized by editing information request mapping area. Take DVPCOPM-SL, the first master module on the left of PLC as an example, below table shows the corresponding relations between message request/ response mapping area and PLC device.

PLC Device	Mapping Area	Mapping Length
D6000~D6031	SDO message response area	64 bytes
D6250~D6281	SDO message request area	64 bytes

Data Format of SDO Request Message

PLC Device	Request Message																
		15	14	13	12	11	10	9	8	7	6	5	4	3	2	1	0
D6250	Message header	Request ID								Command code							
D6251		Reserved								Data length							
D6252		Type								Node address							
D6253	Message data	Main index high byte								Main index low byte							
D6254		Reserved								Subindex							
D6255		Data1								Data 0							
D6256		Data 3								Data 2							
D6257 ~ D6281		Reserved															

- Command code: fixed to 01 (Hex)
- Request ID: Every SDO request message sent out should be given a request ID. CANopen master recognizes every request message via “Request ID number” which must be changed for the next communication after the communication is finished. The value range for Request ID is 00 (Hex) ~ FF (Hex).
- Data length: the data length of message is fixed to 4 bits.
- Node address: node address of CANopen network master
- Type: it is fixed to 1 in SDO request message which indicates SDO data reading service.

Data Format for SDO Response Message

PLC Device	Request Message																
		15	14	13	12	11	10	9	8	7	6	5	4	3	2	1	0
D6000	Message Header	Response ID								Status code							
D6001		Reserved								Data Length							
D6002		Type								Node address							
D6003	Message Data	Main index high byte								Main index low byte							
D6004		Reserved								Subindex							
D6005		Data 1								Data 0							
D6006		Data 3								Data 2							
D6007		Data 5								Data 4							
D6008		Data 7								Data 6							
D6009		Data 9								Data 8							
D6010		Data 11								Data 10							
D6011		Data 13								Data 12							
D6012		Data 15								Data 14							
D6013 ~ D6031	Reserved																

- Status Code

Status Code	Explanation
0	No data transmission request
1	SDO message transmission succeeds.
2	SDO message is being transmitted.
3	Error – SDO message transmitting is time-out.
4	Error – Command code is invalid.
5	Error – The transmitted data length is invalid.
6	Error – Response data length is invalid.
7	Error – The device which is to be used for transmission is busy.
8	Error – Type code is invalid.
9	Error – Node address is wrong.
0A	Error information (refer to the error code in SDO response message)
0B~FF	Reserved

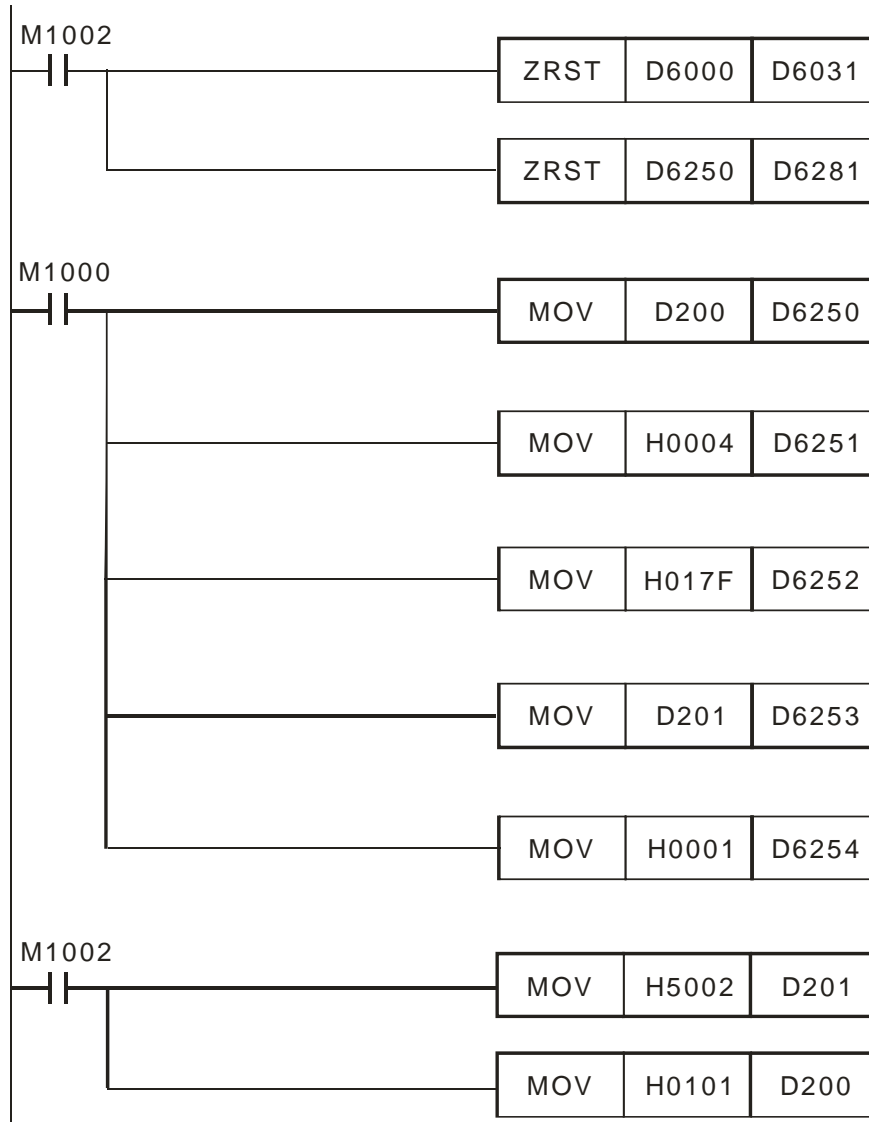
- Response ID: Normally, the Response ID is same as the Request ID in request message; in abnormal status, the Response ID is 0.
- Data length: data length of message data; maximum value: 32; Unit: byte.
- Node address: node address of CANopen network master.
- Type: In SDO response message, 43 (Hex) represents that data of 4 bytes are read; 4B (Hex) represents that data of 2 bytes are read; 4F (Hex) represents that data of 1 byte are read and 42(Hex) represents data longer than 4 bytes are read.

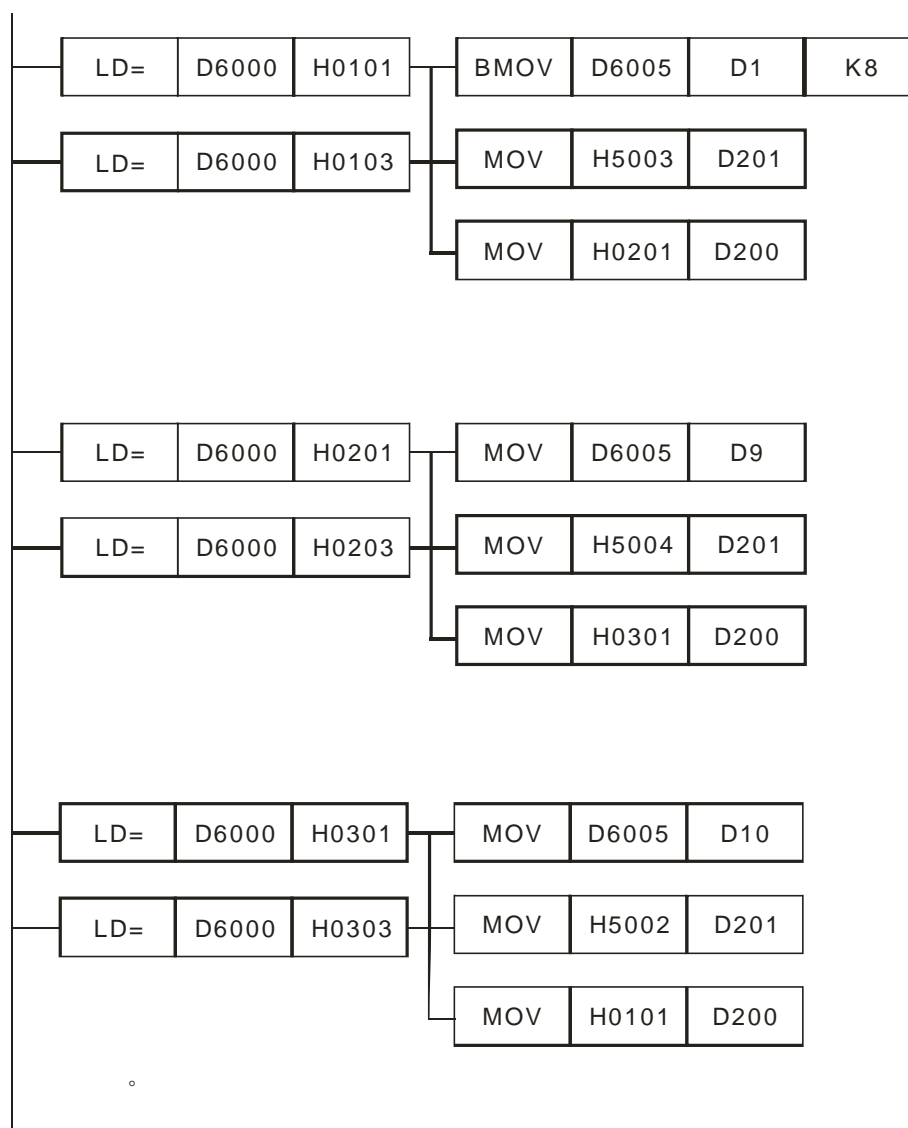
6.5 Application Examples

【Control Requirement】

Edit ladder diagram to achieve monitor function of CANopen network as follows.

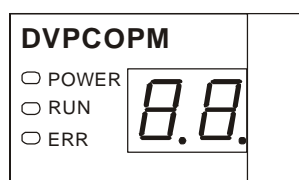
- Real-time monitoring of the slave state in the node list of master module;
- Real-time monitoring of the state of master module;
- Real-time monitoring of the state of CANopen network.





7 LED Indicator & Trouble-shooting

DVPCOPM-SL has three LED indicators and a digital display on it. POWER LED displays whether the power supply of DVPCOPM-SL is normal. RUN LED and ERR LED display the current operational status. The digital display shows the node address of DVPCOPM-SL and error messages from the slave.



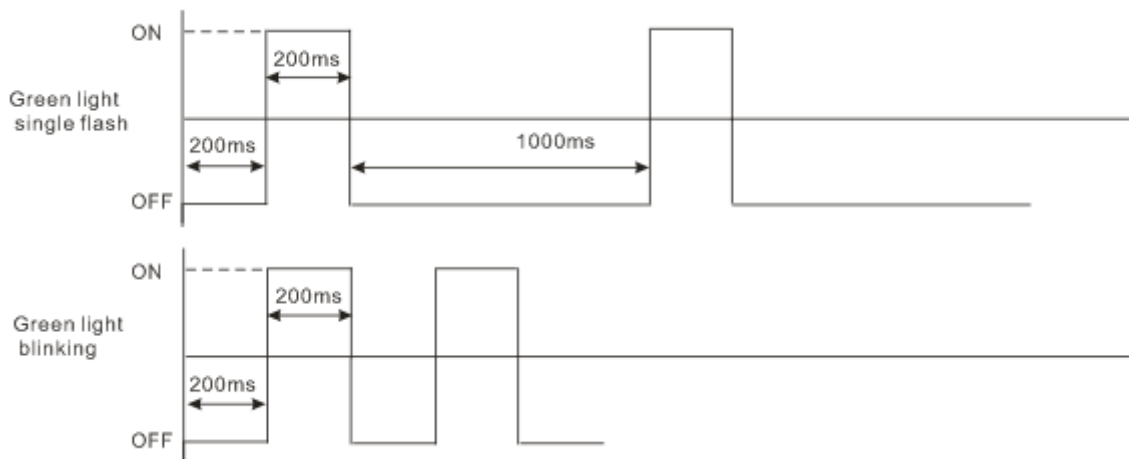
7.1 POWER LED

LED status	Indication	How to correct
On	Power is abnormal.	Check the power supply of DVPCOPM-SL.
Green light On	Power is normal.	--

7.2 RUN LED

LED status	Indication	How to correct
Off	No power	Check the power of DVPCOPM-SL and make sure the connection is normal.
Green light single flash	DVPCOPM-SL in STOP status	Upper computer is downloading network configuration and DVPCOPM-SL is waiting till the download is finished.
Green light blinking	DVPCOPM-SL in pre-operational status	<ol style="list-style-type: none"> 1. Check the wiring for bus cables of CANopen network is proper. 2. Check the baud rate of master and other slaves. 3. Check if the configured slave has been connected to network really. 4. Check if the slave is offline.
Green light steady on	DVPCOPM-SL is operational status	--

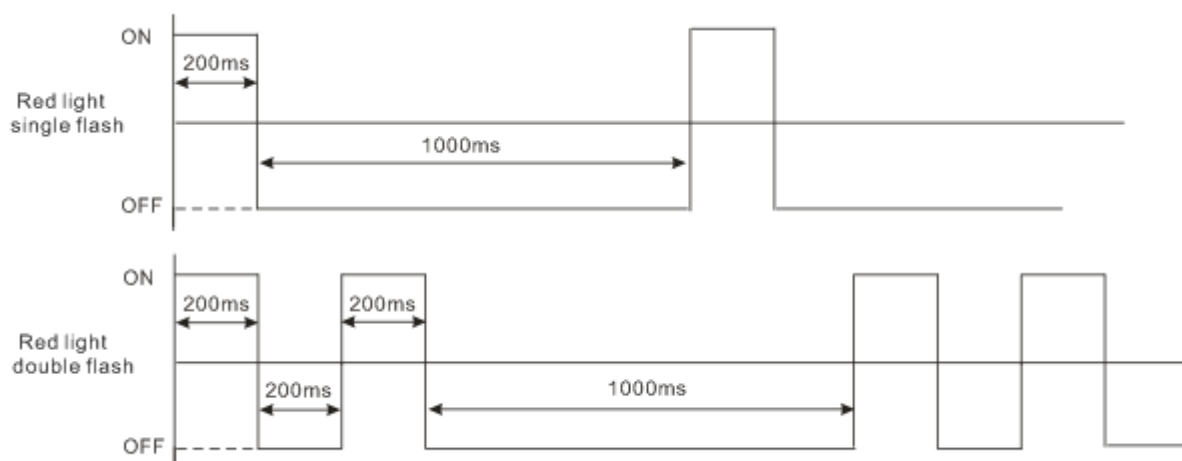
RUN LED green light single flash versus blinking:



7.3 ERR LED

LED status	Indication	How to correct
Off	Normal	--
Red light double flash	Slave is offline.	<ol style="list-style-type: none"> 1. Check if CANopen bus is standard cable. 2. Check if both terminals of CANopen bus are connected with terminal resistance.
Red light single flash	Bus error exceeds the warning limit.	<ol style="list-style-type: none"> 1. Check if CANopen bus is standard cable. 2. Check if both terminals of CANopen bus is connected with terminal resistance. 3. Check if the interference around CANopen bus is too strong.
Red light steady on	Bus-off	<ol style="list-style-type: none"> 1. Check if connection for CANopen network bus cables is proper. 2. Check if DVPCOPM-S and other slaves are at same baud rate.

Error LED red light single flash versus double flashes:



7.4 Codes in Digital Display

- DVPCOPM-SL as master:

Code	Indication	How to correct
1 ~ 7F	The node address of DVPCOPM-SL when in normal operation.	--
F1	Slave has not been added to node list of CANopen builder software.	Add slave into the node list and then reupload it to DVPCOPM-SL.
F2	The data are being downloaded to DVPCOPM-SL.	Wait till configuration is finished downloading
F3	DVPCOPM-SL in error status	Reupload parameter configuration and change into a new DVPCOPM-SL if the error still exists.
F4	Bus-off is detected.	Check if CANopen network bus cables are properly connected.
F5	Incorrect node address of DVPCOPM-SL settings	The node address for DVPCOPM-SL should be set in the range of 1~127.
F6	Internal error: manufacturing process	Repower DVPCOPM-SL. If the error still exists, change to a new DVPCOPM-SL.
F7	Internal error: GPIO check	
F8	Internal error: memory check	
F9	Low voltage is detected.	Check and make sure the power of DVPCOPM-SL works normally.
FA	The firmware of DVPCOPM-SL is in error status.	Repower DVPCOPM-SL.
FB	The sending buffer in DVPCOPM-SL is full.	Check and ensure CANopen network bus cables are properly connected and then repower DVPCOPM-SL
FC	The receiving buffer in DVPCOPM-SL is full.	Check and ensure CANopen network bus cables are properly connected and then repower DVPCOPM-SL.

Code	Indication	How to correct
E0	DVPCOPM-SL receives Emergency message sent by the slave.	Read relevant information through PLC CPU or Delta CANopen Builder software.
E1	PDO data length returned from the slave is not consistent with the length set in the node list.	Reset the PDO data length in the slave and download the new setting to DVPCOPM-SL.
E2	PDO message from the slave has not been received.	Check and make sure the setting is correct.
E3	Auto SDO download failed.	Check and make sure auto SDO is correct.
E4	PDO parameter setting has failed.	Make sure the PDO parameter setting is legal.
E5	Error in key parameter setting.	Make sure all the slaves connected are consistent with the slaves set.
E6	Slave is offline.	<ol style="list-style-type: none"> 1. Make sure the power of the slave and the network connection work normally. 2. Check if CANopen bus is standard cable. 3. Check if Both terminals of CANopen bus is connected with terminal resistance. 4. Check if the interference around CANopen bus is too strong.
E7	The slave's error control is timed-out.	
E8	Master/slave node address is repeated.	Reset the node address and make sure the new address is not a repeated one.

● DVPCOPM-SL as slave:

Code	Indication	How to correct
1 ~ 7F	The node address of DVPCOPM-SL when in normal operation.	--
A0	The parameters in DVPCOPM-SL are being initialized.	Wait till initializing is finished.
A1	DVPCOPM-SL is in pre-operational status.	Check if the bus cables in CANopen network are connected properly.
A3	The data are being downloaded to DVPCOPM-SL.	Wait till configuration is finished downloading.
B0	Heartbeat timed-out	Check if the bus cables in CANopen network are connected properly.
B1	PDO data length returned from the slave is not consistent with the length set in the node list.	Reset the PDO data length in the slave and download the new setting to DVPCOPM-SL.
F4	Bus-off is detected	Check if the bus cables in CANopen network are connected properly; ensure all the nodes in the network work are at the same baud rate. Repower DVPCOPM-SL.

Code	Indication	How to correct
FB	The sending buffer in DVPCOPM-SL is full.	Make sure the bus works normally and repower DVPCOPM-SL.
FC	The receiving buffer in DVPCOPM-SL is full.	Check if the bus cables in CANopen network are connected properly and repower DVPCOPM-SL.